



Cisco ASA 5500-X Series Hardware Installation Guide

Cisco ASA 5512-X, ASA 5515-X, ASA 5525-X, ASA 5545-X, and ASA 5555-X

Cisco Systems, Inc.
www.cisco.com

Cisco has more than 200 offices worldwide.
Addresses, phone numbers, and fax numbers
are listed on the Cisco website at
www.cisco.com/go/offices.

THE SPECIFICATIONS AND INFORMATION REGARDING THE PRODUCTS IN THIS MANUAL ARE SUBJECT TO CHANGE WITHOUT NOTICE. ALL STATEMENTS, INFORMATION, AND RECOMMENDATIONS IN THIS MANUAL ARE BELIEVED TO BE ACCURATE BUT ARE PRESENTED WITHOUT WARRANTY OF ANY KIND, EXPRESS OR IMPLIED. USERS MUST TAKE FULL RESPONSIBILITY FOR THEIR APPLICATION OF ANY PRODUCTS.

THE SOFTWARE LICENSE AND LIMITED WARRANTY FOR THE ACCOMPANYING PRODUCT ARE SET FORTH IN THE INFORMATION PACKET THAT SHIPPED WITH THE PRODUCT AND ARE INCORPORATED HEREIN BY THIS REFERENCE. IF YOU ARE UNABLE TO LOCATE THE SOFTWARE LICENSE OR LIMITED WARRANTY, CONTACT YOUR CISCO REPRESENTATIVE FOR A COPY.

The following information is for FCC compliance of Class A devices: This equipment has been tested and found to comply with the limits for a Class A digital device, pursuant to part 15 of the FCC rules. These limits are designed to provide reasonable protection against harmful interference when the equipment is operated in a commercial environment. This equipment generates, uses, and can radiate radio-frequency energy and, if not installed and used in accordance with the instruction manual, may cause harmful interference to radio communications. Operation of this equipment in a residential area is likely to cause harmful interference, in which case users will be required to correct the interference at their own expense.

The following information is for FCC compliance of Class B devices: This equipment has been tested and found to comply with the limits for a Class B digital device, pursuant to part 15 of the FCC rules. These limits are designed to provide reasonable protection against harmful interference in a residential installation. This equipment generates, uses and can radiate radio frequency energy and, if not installed and used in accordance with the instructions, may cause harmful interference to radio communications. However, there is no guarantee that interference will not occur in a particular installation. If the equipment causes interference to radio or television reception, which can be determined by turning the equipment off and on, users are encouraged to try to correct the interference by using one or more of the following measures:

- Reorient or relocate the receiving antenna.
- Increase the separation between the equipment and receiver.
- Connect the equipment into an outlet on a circuit different from that to which the receiver is connected.
- Consult the dealer or an experienced radio/TV technician for help.

Modifications to this product not authorized by Cisco could void the FCC approval and negate your authority to operate the product.

The Cisco implementation of TCP header compression is an adaptation of a program developed by the University of California, Berkeley (UCB) as part of UCB's public domain version of the UNIX operating system. All rights reserved. Copyright © 1981, Regents of the University of California.

NOTWITHSTANDING ANY OTHER WARRANTY HEREIN, ALL DOCUMENT FILES AND SOFTWARE OF THESE SUPPLIERS ARE PROVIDED "AS IS" WITH ALL FAULTS. CISCO AND THE ABOVE-NAMED SUPPLIERS DISCLAIM ALL WARRANTIES, EXPRESSED OR IMPLIED, INCLUDING, WITHOUT LIMITATION, THOSE OF MERCHANTABILITY, FITNESS FOR A PARTICULAR PURPOSE AND NONINFRINGEMENT OR ARISING FROM A COURSE OF DEALING, USAGE, OR TRADE PRACTICE.

IN NO EVENT SHALL CISCO OR ITS SUPPLIERS BE LIABLE FOR ANY INDIRECT, SPECIAL, CONSEQUENTIAL, OR INCIDENTAL DAMAGES, INCLUDING, WITHOUT LIMITATION, LOST PROFITS OR LOSS OR DAMAGE TO DATA ARISING OUT OF THE USE OR INABILITY TO USE THIS MANUAL, EVEN IF CISCO OR ITS SUPPLIERS HAVE BEEN ADVISED OF THE POSSIBILITY OF SUCH DAMAGES.

Cisco and the Cisco logo are trademarks or registered trademarks of Cisco and/or its affiliates in the U.S. and other countries. To view a list of Cisco trademarks, go to this URL: www.cisco.com/go/trademarks. Third-party trademarks mentioned are the property of their respective owners. The use of the word partner does not imply a partnership relationship between Cisco and any other company. (1110R)

Any Internet Protocol (IP) addresses and phone numbers used in this document are not intended to be actual addresses and phone numbers. Any examples, command display output, network topology diagrams, and other figures included in the document are shown for illustrative purposes only. Any use of actual IP addresses or phone numbers in illustrative content is unintentional and coincidental.

Cisco ASA 5500-X Series Hardware Installation Guide
© 2012-2013 Cisco Systems, Inc. All rights reserved.



About This Guide	vii
Contents	vii
Document Objectives	vii
Document Conventions	vii
Installation Warnings	viii
Where to Find Safety and Warning Information	xii
Related Documentation	xii
Obtaining Documentation and Submitting a Service Request	xii

CHAPTER 1

Information about the ASA 5500-X	1-1
Cisco ASA 5500-X Series Chassis Overview	1-2
Internal and External USB Flash Drives	1-2
Internal USB Drive	1-2
(Optional) External USB Drives	1-2
Online Insertion and Removal Support	1-3
FAT 32 File System	1-3
Viewing Flash Memory	1-3
Solid State Drives	1-3
Management O/O Interface	1-4
Alarm LED	1-4
ASA 5500-X I/O Cards	1-5
SFP Modules	1-5
ASA Chassis Panels	1-6
Front Panel LEDs	1-6
Rear Panel LEDs	1-9
Rear Panel Ports	1-11
Power Supply	1-13
Hardware Specifications	1-15
Console Cable Pinouts	1-16
RJ-45 Console Cable	1-16
RJ-45 to DB-9 Console Adapter	1-18

CHAPTER 2

Preparing for Installation 2-1

- Installation Overview 2-1
- Safety Recommendations 2-1
 - Maintaining Safety with Electricity 2-2
 - Preventing Electrostatic Discharge Damage 2-3
 - Working in an ESD Environment 2-3
- General Site Requirements 2-3
 - Site Environment 2-4
 - Preventive Site Configuration 2-4
 - Power Supply Considerations 2-4
 - Configuring Equipment Racks 2-6

CHAPTER 3

Installing and Connecting the ASA 5500-X 3-1

- Rack Mounting the Chassis 3-1
 - Rack Mounting Guidelines 3-1
 - Rack Mounting the ASA 5512-X, 5515-X, and 5525-X With Brackets 3-2
 - Rack Mounting the ASA 5500-X Chassis with Slide Rail Mounting System 3-4
 - Preparing the ASA 5512-X, ASA 5515-X, or ASA 5525-X to Use an Optional Slide Rail Rack Mount System 3-4
 - Rack Mounting the Chassis with the Slide Rail Mounting System 3-5
- Connecting Cables, Turning on Power, and Verifying Connectivity 3-13

CHAPTER 4

Maintenance and Upgrade Procedures for the ASA 5500-X 4-1

- Removing and Replacing the Chassis Cover 4-1
 - Removing the Chassis Cover 4-1
 - Replacing the Chassis Cover 4-2
- Installing an I/O Card 4-3
 - Installing an I/O Card in the Cisco ASA 5512-X, 5515-X, and 5525-X Chassis 4-3
 - Installing an I/O Card in the Cisco ASA 5545-X and 5555-X Chassis 4-7
- Installing and Removing the SFP Modules 4-11
 - Installing the SFP Module 4-11
 - Removing the SFP Module 4-12
- Removing and Installing the Power Supply 4-13
 - Removing and Installing the AC Power Supply 4-13
 - Installing the DC Input Power 4-15
 - Removing and Installing the DC Power Supply 4-19
- Installing and Removing the Solid State Drive for the ASA CX SSP 4-21
 - Installation Scenarios 4-21

[Installing and Removing SSDs](#) 4-22

INDEX



About This Guide

Revised: September 17, 2013

Contents

This preface includes the following sections:

- [Document Objectives, page vii](#)
- [Document Conventions, page vii](#)
- [Installation Warnings, page viii](#)
- [Where to Find Safety and Warning Information, page xii](#)
- [Related Documentation, page xii](#)
- [Obtaining Documentation and Submitting a Service Request, page xii](#)

Document Objectives

This guide describes how to install and maintain the Cisco ASA 5500-X series appliances. Information in this guide applies to the following Cisco ASA 5500-X Series models: ASA 5512-X, ASA 5515-X, ASA 5525-X, ASA 5545-X, and ASA 5555-X. References to “Cisco ASA 5500-X Series” and “ASA” apply to all previously listed models unless specifically noted otherwise.

Document Conventions

This document uses the following conventions:

Convention	Indication
bold font	Commands and keywords and user-entered text appear in bold font .
<i>italic font</i>	Document titles, new or emphasized terms, and arguments for which you supply values are in <i>italic font</i> .
[]	Elements in square brackets are optional.

{ x y z }	Required alternative keywords are grouped in braces and separated by vertical bars.
[x y z]	Optional alternative keywords are grouped in brackets and separated by vertical bars.
string	A nonquoted set of characters. Do not use quotation marks around the string or the string will include the quotation marks.
<code>courier font</code>	Terminal sessions and information the system displays appear in <code>courier font</code> .
<code>courier bold font</code>	Commands and keywords and user-entered text appear in <code>courier bold font</code> .
<i><code>courier italic font</code></i>	Arguments for which you supply values are in <i><code>courier italic font</code></i> .
< >	Nonprinting characters such as passwords are in angle brackets.
[]	Default responses to system prompts are in square brackets.
!, #	An exclamation point (!) or a pound sign (#) at the beginning of a line of code indicates a comment line.



Note

Means *reader take note*.



Tip

Means *the following information will help you solve a problem*.



Caution

Means *reader be careful*. In this situation, you might perform an action that could result in equipment damage or loss of data.

Installation Warnings

Be sure to read the Regulatory Compliance and Safety Information document at before installing the chassis. This document contains important safety information. This section includes the following warnings:

- [Power Supply Disconnection Warning, page ix](#)
- [Jewelry Removal Warning, page ix](#)
- [Wrist Strap Warning, page ix](#)
- [More than One Power Supply Warning, page ix](#)
- [Work During Lightning Activity Warning, page ix](#)
- [Installation Instructions Warning, page x](#)
- [Chassis Warning for Rack-Mounting and Servicing, page x](#)
- [SELV Circuit Warning, page x](#)
- [Ground Conductor Warning, page x](#)
- [Blank Faceplates and Cover Panels Warning, page x](#)
- [Product Disposal Warning, page x](#)
- [Short-Circuit Protection Warning, page xi](#)

- [Compliance with Local and National Electrical Codes Warning, page xi](#)
- [DC Power Connection Warning, page xi](#)
- [AC Power Disconnection Warning, page xi](#)
- [TN Power Warning, page xi](#)
- [48 VDC Power System, page xi](#)
- [Multiple Power Cord, page xi](#)
- [Circuit Breaker \(15A\) Warning, page xi](#)
- [Grounded Equipment Warning, page xii](#)
- [Safety Cover Requirement, page xii](#)
- [Faceplates and Cover Panel Requirement, page xii](#)

Power Supply Disconnection Warning



Warning

Before working on a chassis or working near power supplies, unplug the power cord on AC units; disconnect the power at the circuit breaker on DC units. Statement 12

Jewelry Removal Warning



Warning

Before working on equipment that is connected to power lines, remove jewelry (including rings, necklaces, and watches). Metal objects will heat up when connected to power and ground and can cause serious burns or weld the metal object to the terminals. Statement 43

Wrist Strap Warning



Warning

During this procedure, wear grounding wrist straps to avoid ESD damage to the card. Do not directly touch the backplane with your hand or any metal tool, or you could shock yourself. Statement 94

More than One Power Supply Warning



Warning

This unit has more than one power supply connection; all connections must be removed completely to completely remove power from the unit. Statement 102

Work During Lightning Activity Warning



Warning

Do not work on the system or connect or disconnect cables during periods of lightning activity. Statement 1001

Installation Instructions Warning



Warning

Read the installation instructions before connecting the system to the power source. Statement 1004

Chassis Warning for Rack-Mounting and Servicing



Warning

To prevent bodily injury when mounting or servicing this unit in a rack, you must take special precautions to ensure that the system remains stable. The following guidelines are provided to ensure your safety: This unit should be mounted at the bottom of the rack if it is the only unit in the rack. When mounting this unit in a partially filled rack, load the rack from the bottom to the top with the heaviest component at the bottom of the rack. If the rack is provided with stabilizing devices, install the stabilizers before mounting or servicing the unit in the rack. Statement 1006

SELV Circuit Warning



Warning

To avoid electric shock, do not connect safety extra-low voltage (SELV) circuits to telephone-network voltage (TNV) circuits. LAN ports contain SELV circuits, and WAN ports contain TNV circuits. Some LAN and WAN ports both use RJ-45 connectors. Use caution when connecting cables. Statement 1021

Ground Conductor Warning



Warning

This equipment must be grounded. Never defeat the ground conductor or operate the equipment in the absence of a suitably installed ground conductor. Contact the appropriate electrical inspection authority or an electrician if you are uncertain that suitable grounding is available. Statement 1024

Blank Faceplates and Cover Panels Warning



Warning

Blank faceplates and cover panels serve three important functions: they prevent exposure to hazardous voltages and currents inside the chassis; they contain electromagnetic interference (EMI) that might disrupt other equipment; and they direct the flow of cooling air through the chassis. Do not operate the system unless all cards, faceplates, front covers, and rear covers are in place. Statement 1029

Product Disposal Warning



Warning

Ultimate disposal of this product should be handled according to all national laws and regulations. Statement 1040

Short-Circuit Protection Warning



This product requires short-circuit (overcurrent) protection, to be provided as part of the building installation. Install only in accordance with national and local wiring regulations. Statement 1045

Compliance with Local and National Electrical Codes Warning



Installation of the equipment must comply with local and national electrical codes. Statement 1074

DC Power Connection Warning



After wiring the DC power supply, remove the tape from the circuit breaker switch handle and reinstate power by moving the handle of the circuit breaker to the ON position. Statement 8

AC Power Disconnection Warning



Before working on a chassis or working near power supplies, unplug the power cord on AC units. Statement 246

TN Power Warning



The device is designed to work with TN power systems. Statement 19

48 VDC Power System



The customer 48 volt power system must provide reinforced insulation between the primary AC power and the 48 VDC output. Statement 128

Multiple Power Cord



This unit has more than one power cord. To reduce the risk of electric shock when servicing a unit, disconnect the power cord of the power strip that the unit is plugged into. Statement 137

Circuit Breaker (15A) Warning



This product relies on the building's installation for short-circuit (overcurrent) protection. Ensure that a fuse or circuit breaker no larger than 120 VAC, 15A U.S. (240 VAC, 10A international) is used on the phase conductors (all current-carrying conductors). Statement 13

Grounded Equipment Warning



Warning

This equipment is intended to be grounded. Ensure that the host is connected to earth ground during normal use. Statement 39

Safety Cover Requirement



Warning

The safety cover is an integral part of the product. Do not operate the unit without the safety cover installed. Operating the unit without the cover in place will invalidate the safety approvals and pose a risk of fire and electrical hazards. Statement 117

Faceplates and Cover Panel Requirement



Warning

Blank faceplates and cover panels serve three important functions: they prevent exposure to hazardous voltages and currents inside the chassis; they contain electromagnetic interference (EMI) that might disrupt other equipment; and they direct the flow of cooling air through the chassis. Do not operate the system unless all cards, faceplates, front covers, and rear covers are in place. Statement 142

Where to Find Safety and Warning Information

For safety and warning information, see the Regulatory Compliance and Safety Information document at the following URL:

<http://www.cisco.com/en/US/docs/security/asa/roadmap/asaroadmap.html#wp57708>

This RCSI document describes the international agency compliance and safety information for the Cisco ASA 5500-X series. It also includes translations of the safety warnings used in this guide.

Related Documentation

For a complete list of the Cisco ASA 5500-X series documentation and where to find it, see the documentation roadmap at the following URL:

<http://www.cisco.com/en/US/docs/security/asa/roadmap/asaroadmap.html>

Obtaining Documentation and Submitting a Service Request

For information on obtaining documentation, using the Cisco Bug Search Tool (BST), submitting a service request, and gathering additional information, see *What's New in Cisco Product Documentation* at: <http://www.cisco.com/en/US/docs/general/whatsnew/whatsnew.html>.

Subscribe to *What's New in Cisco Product Documentation*, which lists all new and revised Cisco technical documentation, as an RSS feed and deliver content directly to your desktop using a reader application. The RSS feeds are a free service.





Information about the ASA 5500-X

This chapter describes the Cisco ASA 5512-X, 5515-X, 5525-X, 5545-X, and 5555-X models. We recommend that you read this entire guide before beginning any of the procedures contained herein.



Warning

Only trained and qualified personnel should install, replace, or service this equipment. Statement 49



Caution

Read the safety warnings in the Regulatory Compliance and Safety Information document for the Cisco ASA 5500-X, and follow proper safety procedures when performing any tasks in this guide. See <http://www.cisco.com/go/asadocs> for links to the RCSI and other ASA documents.

This chapter includes the following topics:

- [Cisco ASA 5500-X Series Chassis Overview, page 1-2](#)
- [Internal and External USB Flash Drives, page 1-2](#)
- [Solid State Drives, page 1-3](#)
- [Management 0/0 Interface, page 1-4](#)
- [Alarm LED, page 1-4](#)
- [ASA 5500-X I/O Cards, page 1-5](#)
- [SFP Modules, page 1-5](#)
- [ASA Chassis Panels, page 1-6](#)
- [Power Supply, page 1-13](#)
- [Hardware Specifications, page 1-15](#)
- [Console Cable Pinouts, page 1-16](#)

Cisco ASA 5500-X Series Chassis Overview

This guide supports the Cisco ASA 5500-X series models, which includes the ASA 5512-X, ASA 5515-X, ASA 5525-X, ASA 5545-X, and ASA 5555-X.

The Cisco ASA 5500-X series is a family of next-generation mid-range ASAs that are built on the same security platform as the rest of the ASA family. These next-generation ASAs provide more firewall throughput (4X firewall throughput), better scaling, more Ethernet ports (up to 14 GE ports), optional ASA CX SSP or ASA IPS SSP software modules, and redundant power supplies on the 5545-X and 5555-X models.

For More Information

- For information about ASA 5500-X performance, see the “[Hardware Specifications](#)” section on [page 1-15](#).
- For information about ASA IPS functionality, see Cisco Intrusion Prevention System documentation:
http://www.cisco.com/en/US/products/hw/vpndevc/ps4077/products_documentation_roadmaps_list.html
- For information about ASA CX functionality, see:
<http://www.cisco.com/en/US/docs/security/asacx/roadmap/asacxprsmroadmap.html>

Internal and External USB Flash Drives

The Cisco ASA 5500-X series chassis have internal and (optional) external USB drives.

- [Internal USB Drive, page 1-2](#)
- [\(Optional\) External USB Drives, page 1-2](#)
- [Online Insertion and Removal Support, page 1-3](#)
- [FAT 32 File System, page 1-3](#)

Internal USB Drive

An embedded USB (eUSB) device is used as the internal flash (disk0). See the “[Hardware Specifications](#)” section on [page 1-15](#) for the size shipped with each model.

(Optional) External USB Drives

The ASA 5500-X series supports external USB flash drives for data storage. The ASA 5500-X series use *disk1* as the external USB flash drive identifier. When the ASA is powered on, an inserted USB flash drive is mounted to *disk1* and available for you to use. Additionally, the file system commands that are available to *disk0* are also available to *disk1*, including **copy**, **format**, **delete**, **mkdir**, **pwd**, **cd**, and so on. When you remove the USB flash drive, the system unmounts *disk1*, and *disk1* becomes an invalid file system label that you can no longer access.

If you insert a USB drive with more than one partition, only the first partition is mounted.

Online Insertion and Removal Support

While the ASA back panel has two USB slots, only one is supported for Online Insertion and Removal (OIR), with priority given to the USB drive that was inserted first. For example, based on the time sequence, the first inserted USB flash drive is mounted to disk1, regardless of the slot in which you insert it. When you insert a second USB device, an error message displays on the console to notify you that an extra, unsupported USB flash drive exists. Removing either one of the USB devices does not change the priority that you just established. To change the priority you must safely remove the USB device and begin again to establish the desired priority.

FAT 32 File System

The ASA 5500-X series supports only FAT32 formatted file systems for the eUSB and external USB drives. If you insert an external USB drive that is not in FAT 32 format, the system mounting process fails, and you receive an error message. You can enter the **format disk1:** command to format the partition to FAT 32 and mount the partition to disk1 again; however, data might be lost.

Viewing Flash Memory

Check the amount of free flash memory on the ASA by doing the following:

- ASDM—Choose **Tools > File Management**. The amount of available memory appears on the bottom left in the pane.
- CLI—In privileged EXEC mode, enter the **dir** command. The amount of available memory appears at the bottom of the output.

Solid State Drives

You must install a Cisco Solid State Drive (SSDs) for use with the ASA CX SSP. Only Cisco SSDs are supported. Currently, the ASA CX SSP is the only process that can use the SSD for storage. You can install one SSD in the ASA 5512-X, ASA 5515-X, and ASA 5525-X. You can install two SSDs in a RAID 1 configuration in the ASA 5545-X and ASA 5555-X.

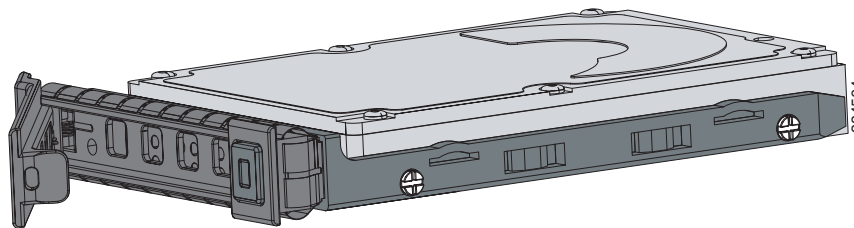
**Note**

When you install an SSD for the first time, you must reload the ASA and then reimage the ASA CX SSP.

The SSD is hot-swappable. The SSD resides in a carrier, which you install into the drive bay. You can use the SSD with an AC or DC power supply.

Figure 1-1 shows the SSD in the carrier that it is shipped in.

Figure 1-1 SSD in Carrier



Management 0/0 Interface

You manage the ASA through the Management 0/0 interface. The Management 0/0 interface has the following characteristics:

- No through traffic support
- No subinterface support
- No priority queue support
- No multicast MAC support
- The IPS or CX SSP software module and the ASA share the Management 0/0 interface; however, each has its own separate MAC address and IP address. You must configure the module IP address within the module operating system. However, you configure physical characteristics (such as enabling the interface) on the ASA.

The Management 0/0 interface is configured for management-only traffic, and you cannot disable management-only for the Management interface. Also, because the ASA 5500-X models do not allow subinterfaces on the Management interface, for per-context management, you must connect to a data interface for management.

The Management 0/0 interface is configured for ASDM access as part of the default factory configuration.

For More Information

For more information, see the [“Rear Panel Ports”](#) section on page 1-11.

Alarm LED

The ASA 5500-X series chassis perform autonomous environment monitoring to poll all external sensors and monitor operating conditions. In the event of damage to certain internal components or surpassed temperature thresholds, the system activates an alarm LED to notify you of a critical condition. For example, the alarm LED is activated by firmware in the event of various critical over-voltage and over-temperature conditions, as well as when the ASA has missing or unrecognized internal chip components. When the alarm LED lights, you can find details about the system condition from the system message that appears on the console or by entering the **show environment** or **show controller pci** command.

ASA 5500-X I/O Cards

The Cisco ASA 5500-X Series 6-port Gigabit Ethernet interface cards extend the I/O capabilities of the ASA 5525-X, ASA 5545-X, and ASA 5555-X models by providing additional Gigabit Ethernet ports.

The I/O cards provide the following benefits:

- Segmentation of network traffic into separate security zones
- Fiber optic cable connectivity for communicating over long distances
- Load sharing of traffic and protection against link failure by using EtherChannel
- Support for Jumbo Ethernet frames of up to 9000 bytes
- Protection for Active/Active failover and of full-mesh firewall deployments against cable failure

For More Information

For information about installing an I/O card in your ASA, see [Chapter 4, “Maintenance and Upgrade Procedures for the ASA 5500-X.”](#)

SFP Modules

The ASA uses a field-replaceable SFP module to establish Gigabit Ethernet connections. [Table 1-1](#) lists the supported SFP modules.

Table 1-1 Supported SFP Modules

SFP Module	Type of Connection	Cisco Part Number
1000BASE-LX/LH	Fiber-optic	GLC-LH-SM=
1000BASE-SX	Fiber-optic	GLC-SX-MM=

The 1000BASE-LX/LH and 1000BASE-SX SFP modules are used to establish fiber-optic connections. Use fiber-optic cables with LC connectors to connect to an SFP module. The SFP modules support 850 to 1550 nm nominal wavelengths. The cables must not exceed the required cable length for reliable communications. [Table 1-2](#) lists the cable length requirements.

Table 1-2 Cabling Requirements for Fiber-Optic SFP Modules

SFP Module	62.5/125 micron Multimode 850 nm Fiber	50/125 micron Multimode 850 nm Fiber	62.5/125 micron Multimode 1310 nm Fiber	50/125 micron Multimode 1310 nm Fiber	9/125 micron Single-mode 1310 nm Fiber
LX/LH	—	—	550 m at 500 Mhz-km	550 m at 400 Mhz-km	10 km
SX	275 m at 200 Mhz-km	550 m at 500 Mhz-km	—	—	—

Use only Cisco certified SFP modules on the ASA. Each SFP module has an internal serial EEPROM that is encoded with security information. This encoding provides a way for Cisco to identify and validate that the SFP module meets the requirements for the ASA.



Note Only SFP modules certified by Cisco are supported on the ASA.

ASA Chassis Panels

This section describes the front and rear ASA panels, and it includes the following topics:

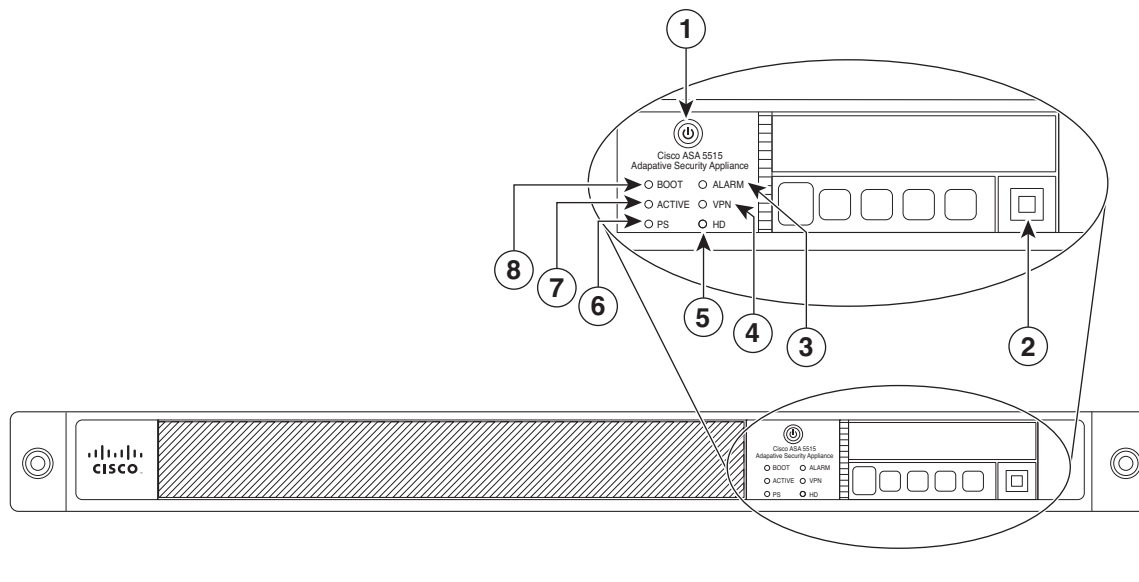
- [Front Panel LEDs, page 1-6](#)
- [Rear Panel LEDs, page 1-9](#)
- [Rear Panel Ports, page 1-11](#)

Front Panel LEDs

This section describes the front panel LEDs for the Cisco ASA 5500-X series chassis.

[Figure 1-2](#) shows the front panel LEDs for the ASA 5512-X, ASA 5515-X, and ASA 5525-X models.

Figure 1-2 Front Panel LEDs for the Cisco ASA 5512-X, ASA 5515-X, and ASA 5525-X

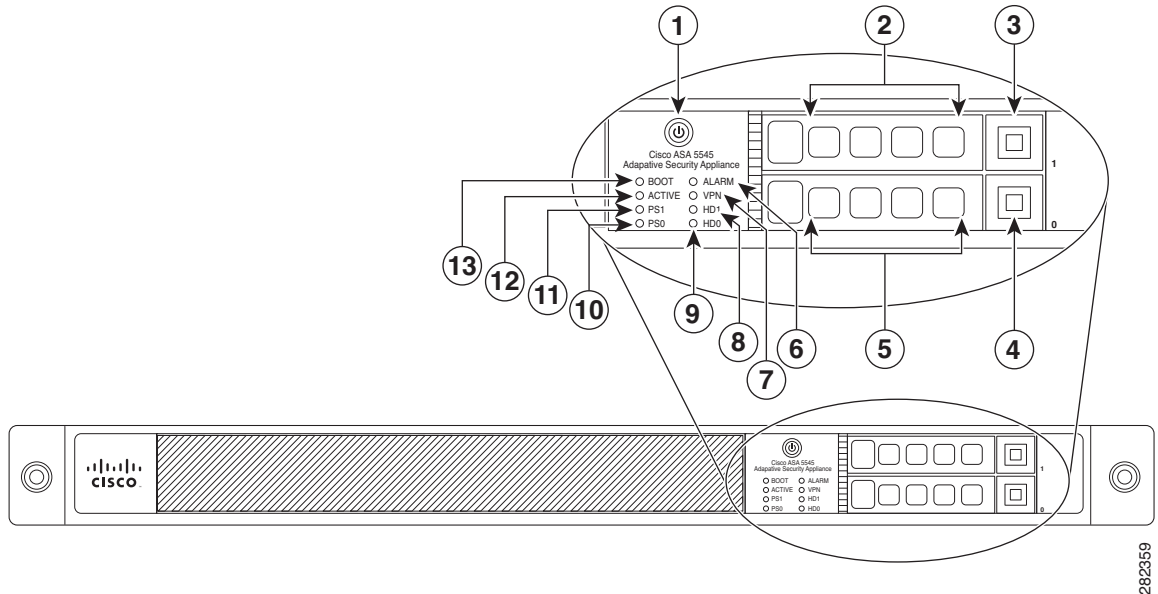


LED	Description
1	<p>Power button</p> <p>A soft switch that turns the system on and off. Once depressed, the button stays in the “on” position:</p> <ul style="list-style-type: none"> • On—The power symbol on the button illuminates. • Off—The power symbol on the button is dark. <p>For information about the power state, see the “Power Supply Considerations” section on page 2-4.</p>
2	<p>Hard disk release button</p> <p>Releases the hard disk from the device.</p>

3	Alarm	<p>Indicates system operating status:</p> <ul style="list-style-type: none"> • Off—Normal operating system function. • Flashing amber—Critical Alarm indicating one or more of the following: <ul style="list-style-type: none"> – a major failure of a hardware or software component. – an over-temperature condition. – power voltage is outside of the tolerance range.
4	VPN	<p>Indicates VPN tunnel status:</p> <ul style="list-style-type: none"> • Solid green—VPN tunnel is established. • Off—No VPN tunnel is established.
5	HD	<p>Indicates Hard Disk Drive status:</p> <ul style="list-style-type: none"> • Flashing green—Proportioned to read/write activity. • Solid amber—Hard disk drive failure. • Off—No hard disk drive present.
6	PS	<p>Indicates the power supply status</p>
7	Active	<p>Indicates the status of the failover pair:</p> <ul style="list-style-type: none"> • Solid green—Failover pair is operating normally. • Off—Failover is not operational.
8	Boot	<p>Indicates power-up diagnostics:</p> <ul style="list-style-type: none"> • Flashing green—Power-up diagnostics are running, or system is booting. • Solid green—System has passed power-up diagnostics. • Off—Power-up diagnostics are not operational.

Figure 1-3 shows the front panel LEDs for the ASA 5545-X and ASA 5555-X models.

Figure 1-3 Front Panel LEDs for Cisco ASA 5545-X and ASA 5555-X



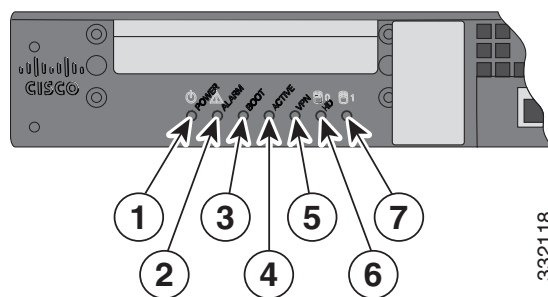
LED	Description
1	<p>Power button</p> <p>A soft switch that turns the system on and off. Once depressed, the button stays in the “on” position:</p> <ul style="list-style-type: none"> On—The power symbol on the button illuminates. Off—The power symbol on the button is dark. <p>For information about the power state, see the “Power Supply Considerations” section on page 2-4.</p>
2	<p>Hard disk slot</p> <p>Indicates the slot for hard disk 1.</p>
3	<p>Hard disk release button</p> <p>Releases hard disk 1 from the device.</p>
4	<p>Hard disk release button</p> <p>Releases hard disk 0 from the device.</p>
5	<p>Hard disk slot</p> <p>Indicates the slot for hard disk 0.</p>
6	<p>Alarm</p> <p>Indicates system operating status:</p> <ul style="list-style-type: none"> Off—Normal operating system function Flashing amber—Critical Alarm indicating one or more of the following: <ul style="list-style-type: none"> a major failure of a hardware or software component. an over-temperature condition. power voltage is outside of the tolerance range.
7	<p>VPN</p> <p>Indicates VPN tunnel status:</p> <ul style="list-style-type: none"> Solid green—VPN tunnel is established. Off—No VPN tunnel is established.

8	HD1	Indicates Hard Disk Drive 1 status: <ul style="list-style-type: none"> Flashing green—Proportioned to read/write activity. Solid amber—Hard disk drive failure. Off—No hard disk drive present.
9	HD0	Indicates Hard Disk Drive 0 status: <ul style="list-style-type: none"> Flashing green—Proportioned to read/write activity. Solid amber—Hard disk drive failure. Off—No hard disk drive present.
10	PS1	Indicates the status of the optional redundant power supply.
11	PS0	Indicates the status of the primary power supply that ships with the product.
12	Active	Indicates the status of the failover pair: <ul style="list-style-type: none"> Solid green—Failover pair is operating normally. Off—Failover pair is not operational.
13	Boot	Indicates power-up diagnostics: <ul style="list-style-type: none"> Flashing green—Power-up diagnostics are running, or system is booting. Solid green—System has passed power-up diagnostics. Off—Power-up diagnostics are not operational.

Rear Panel LEDs

Figure 1-4 shows the rear panel LEDs for the ASA 5500-X series chassis.

Figure 1-4 Rear Panel LEDs for ASA 5500-X Series Chassis

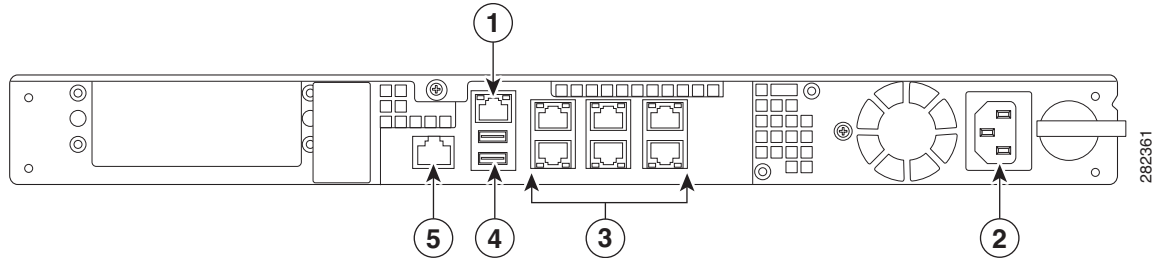


	LED	Description
1	Power	Indicates power supply status: <ul style="list-style-type: none"> • Off—Power supply off. • Solid green—Power supply on.
2	Alarm	Indicates system operating status: <ul style="list-style-type: none"> • Off—Normal operating system function • Flashing amber—Critical Alarm indicating one or more of the following: <ul style="list-style-type: none"> – a major failure of a hardware or software component. – an over-temperature condition. – power voltage is outside of the tolerance range.
3	Boot	Indicates power-up diagnostics: <ul style="list-style-type: none"> • Flashing green—Power-up diagnostics are running, or system is booting. • Solid green—System has passed power-up diagnostics. • Off—Power-up diagnostics are not operational.
4	Active	Indicates the status of the failover pair: <ul style="list-style-type: none"> • Solid green—Failover pair is operating normally. • Off—Failover pair is not operational.
5	VPN	Indicates VPN tunnel status: <ul style="list-style-type: none"> • Solid green—VPN tunnel is established. • Off—No VPN tunnel is established.
6	HD0	Indicates Hard Disk Drive 0 status: <ul style="list-style-type: none"> • Flashing green—Proportioned to read/write activity. • Solid amber—Hard disk drive failure. • Off—No hard disk drive present.
7	HD1	Indicates Hard Disk Drive 1 status: <ul style="list-style-type: none"> • Flashing green—Proportioned to read/write activity. • Solid amber—Hard disk drive failure. • Off—No hard disk drive present.

Rear Panel Ports

Figure 1-5 shows the ports for the ASA 5512-X and ASA 5515-X models.

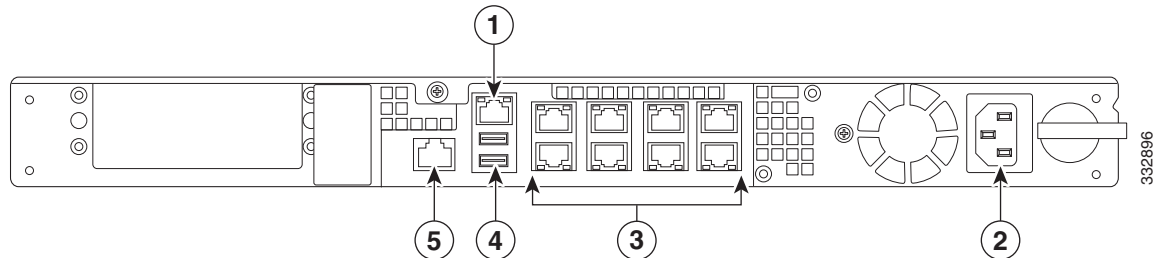
Figure 1-5 Rear Panel Ports for the ASA 5512-X and ASA 5515-X



LED	Description
1	Management 0/0 interface Indicates the Gigabit Ethernet interface that is restricted to management use only. Connect with an RJ-45 cable. (See the “Management 0/0 Interface” section on page 1-4.)
2	Power supply Indicates the chassis power supply.
3	RJ-45 ports Indicates the Gigabit Ethernet customer data interfaces. The top row port numbers are (from left to right) 5, 3, 1. The bottom row port numbers are (from left to right) 4, 2, 0.
4	USB Ports Indicates the two USB standard ports. (See the “Internal and External USB Flash Drives” section on page 1-2.)
5	Console port Indicates the console port that directly connects a computer to the ASA.

Figure 1-6 shows the ports for the ASA 5525-X.

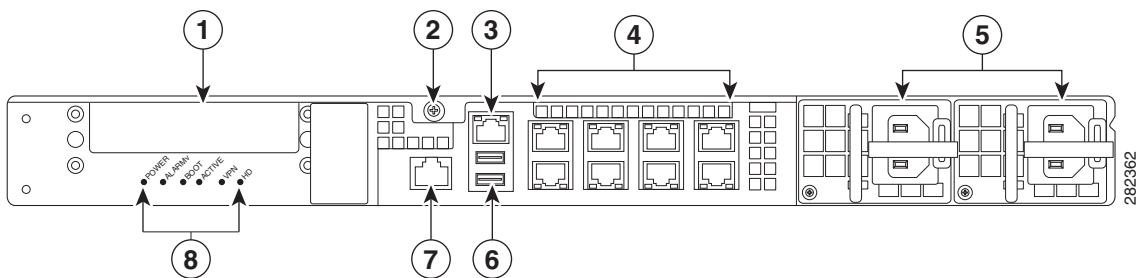
Figure 1-6 Rear Panel Ports for the ASA 5525-X



	LED	Description
1	Management 0/0 interface	Indicates the Gigabit Ethernet interface that is restricted to management use only. Connect with an RJ-45 cable. (See the “Management 0/0 Interface” section on page 1-4.)
2	Power supply	Indicates the chassis power supply.
3	RJ-45 ports	Indicates the Gigabit Ethernet customer data interfaces. The top row port numbers are (from left to right) 7, 5, 3, 1. The bottom row port numbers are (from left to right) 6, 4, 2, 0.
4	USB Ports	Indicates the two USB standard ports. (See the “Internal and External USB Flash Drives” section on page 1-2.)
5	Console port	Indicates the console port that directly connects a computer to the ASA.

Figure 1-7 shows the rear panel ports for the ASA 5545-X and ASA 5555-X.

Figure 1-7 Rear Panel Ports for the ASA 5545-X and ASA 5555-X



	LED	Description
1	I/O slot	Slot for the optional I/O Card. If you have a fiber I/O card, use SFP modules to connect (not included).
2	Thumbscrew	The screw that tightens and loosens the chassis cover.
3	Management 0/0 port	Indicates the Gigabit Ethernet interface that is restricted to management use only. Connect with an RJ-45 cable. (See the “Management 0/0 Interface” section on page 1-4.)
4	RJ-45 ports	Indicates the Gigabit Ethernet customer data interfaces. The top row port numbers are (from left to right) 7, 5, 3, 1. The bottom row port numbers are (from left to right) 6, 4, 2, 0.
5	Power supplies	Slots for the primary power supply that ships with the device and the optional redundant power supply.
6	USB ports	Indicates the two USB standard ports. (See the “Internal and External USB Flash Drives” section on page 1-2.)

7	Console port	Indicates the console port that directly connects a computer to the ASA.
8	Rear panel LEDs	Shows the rear panel LEDs. (See the “Rear Panel LEDs for ASA 5500-X Series Chassis” for more information.)

Power Supply

The ASA 5512-X, ASA 5515-X, and ASA 5525-X ship with one fixed fan and one fixed power supply (AC or DC) installed. The ASA 5545-X and ASA 5555-X ship with one power supply (AC or DC) installed. You can add an additional power supply or you can order these appliances with two power supplies installed. Having two power supplies installed provides a redundant power option. This configuration ensures that if one power supply fails, the other power supply assumes the full load until the failed power supply is replaced. To maintain airflow, an empty bay must be covered or both bays must be populated with power supplies. If only one power supply is installed, make sure that it is installed in slot 0 (left slot) and that slot 1 (right slot) is covered with a slot cover. If only one power supply is installed, do not remove the power supply unless the appliance has been powered off. Removing the only operational power supply causes an immediate power loss.



Note

The ASA 5545-X and ASA 5555-X can support two AC or two DC power supplies. Do not mix AC and DC power supply units in the same chassis.

The power supplies each provide 400 W of output power and are used in a 1 + 1 redundant configuration. There is no input switch on the faceplate of the power supplies.

The Cisco ASA 5500-X series hardware operates on AC power and supports the ability to restore the previous power state of the system in the event that AC power is lost.

The power supply is switched from Standby to ON by way of a system chassis STANDBY/ON switch. Earlier ASAs (V01) require you to turn on the power with the power switch. Newer ASAs (V02) automatically turn on when you plug in the power cable. To determine your version, do one of the following:

- At the CLI, enter the **show inventory** command and look for V01 or V02 in the output.
- On the back of the chassis, look at the VID PID label for V01 or V02.

For the V01 chassis, see the following limitations:

- The ASA requires 50 seconds from the time that AC power is applied before the power state can be updated and stored. This means that any changes to the power state within the first 50 seconds of applying AC power will not be observed if AC power is removed within that time.
- The ASA requires 10 seconds from the time it is placed into standby mode before the power state can be updated and stored. This means any changes to the power state within the first 10 seconds of entering standby mode (including the standby mode itself) will not be observed if AC power is removed within that time.

For the V02 chassis, the above limitations do not apply.

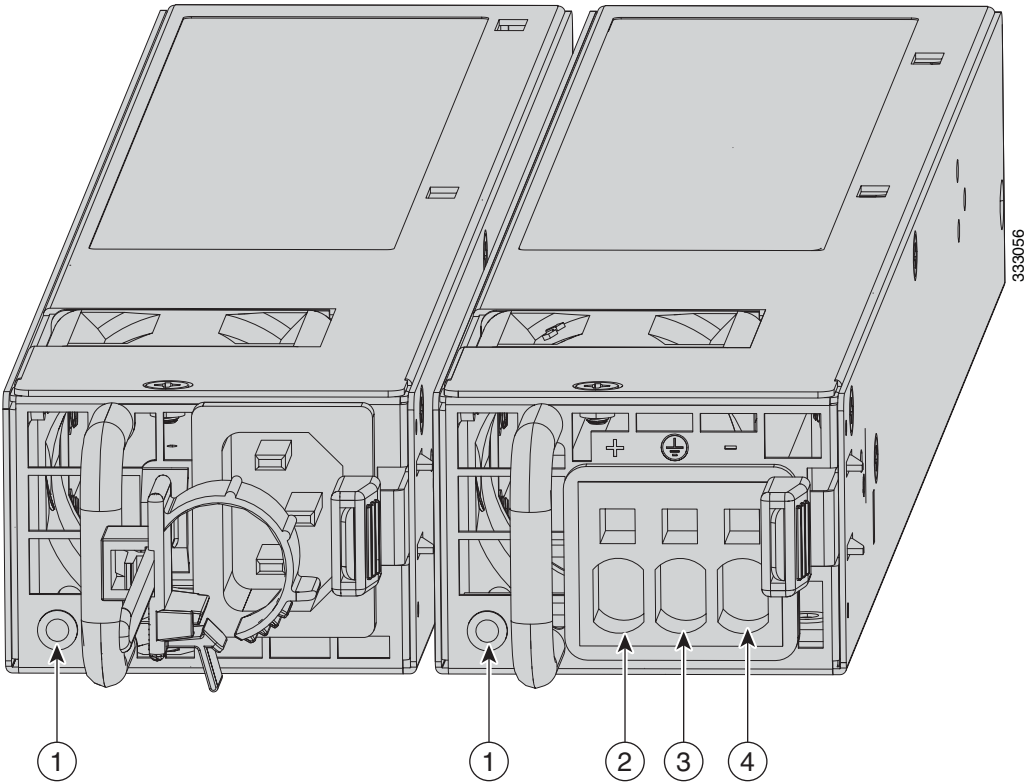
The power supply slot numbers are on the back of the chassis to the left side of each power supply. When facing the back of the chassis, power supply slot 0 (PS0) is to the left and power supply slot 1 (PS1) is to the right. By default, the factory installs a single power supply in slot 0.

The ASA supports the following power supplies:

- AC power supply—Provides 400 watt output power with two DC voltage outputs: +12 V and +5 V. The AC power supply operates between 85 and 264 VAC. The AC power supply current shares on the 12 V output and is used in a dual hot pluggable configuration. The AC power supply consumes a maximum of 471 W of input power.
- DC power supply—Provides 400 watt output power with two DC voltage outputs: +12 V and +5.0 V. The power supply operates between -40.5 and -72 VDC. The DC power supply current shares on the 12 V output and is used in a dual hot pluggable configuration. The DC power supply consumes a maximum of 500 W of input power.

Figure 1-8 shows both the removable AC (on the left) and DC (on the right) power supplies for the ASA 5545-X and ASA 5555-X.

Figure 1-8 AC Power Supply and DC Power Supply



1	Power supply indicator	2	DC power supply positive connection
3	DC power supply neutral connection	4	DC power supply negative connection

Table 1-3 describes the power supply indicator. The function of the indicator is the same for both the AC and DC power supplies.

Table 1-3 AC and DC Power Supply Indicator

Indicator Color and State	Description
Solid green	Power output is on and within the normal operating range.
Blinking green, at the rate of one blink per second	Input power that is within the normal operating range is being supplied, but the Standby switch is in the Standby position (and not in the On position).
Solid amber	A power supply critical event has occurred, and the power supply has shut down. The critical event can be temperature, voltage, current, or fan operating outside the normal operating range.
Blinking amber, at the rate of one blink per second	A power supply warning event has occurred, but the power supply can continue to operate. The warning event can be temperature, voltage, current, or fan operating outside the normal operating range.
Off	The power supply is shut down.

Hardware Specifications

Table 1-4 contains hardware specifications for the ASA 5500-X series models.

Table 1-4 Hardware Specifications for the Cisco ASA 5500-X series

	ASA 5512-X	ASA 5515-X	ASA 5525-X	ASA 5545-X	ASA 5555-X
Physical Specifications					
Form-factor	1RU, 19-in	1RU, 19-in	1RU, 19-in	1RU, 19-in	1RU, 19-in
Rack mountable	Yes. Brackets included, slide rails optional	Yes. Brackets included, slide rails optional	Yes. Brackets included, slide rails optional	Yes. Slide rails included.	Yes. Slide rails included.
Dimensions	1.67x1.67x1.56 in. 42.4x429x395 mm	1.67x1.67x1.56 in. 42.4x429x395 mm	1.67x1.67x1.56 in. 42.4x429x395 mm	1.67x1.67x1.91 in. 42.4x429x484 mm	1.67x1.67x1.91 in. 42.4x429x484 mm
Weight—single power supply	13.39 lb.	13.39 lb.	14.92 lb.	16.82 lb.	16.82 lb.
Weight—dual power supply	N/A	N/A	N/A	18.86 lb.	18.86 lb.
Technical Specifications					
DRAM Memory	4 GB	8 GB	8 GB	12 GB	16 GB
Internal Flash	4 GB	8 GB	8 GB	8 GB	8 GB
Power Supply Information					
Power supply	400 W	400W	400W	450W	450W
Redundant power supply available	No	No	No	Yes	Yes
Operating Conditions					

Table 1-4 Hardware Specifications for the Cisco ASA 5500-X series

	ASA 5512-X	ASA 5515-X	ASA 5525-X	ASA 5545-X	ASA 5555-X
Temperature	-5°C to 40°C (23°F to 104°F)	-5°C to 40°C (23°F to 104°F)	-5°C to 40°C (23°F to 104°F)	-5°C to 40°C (23°F to 104°F)	-5°C to 40°C (23°F to 104°F)
Relative humidity	90%	90%	90%	90%	90%
Altitude	10,000 ft.	10,000 ft.	10,000 ft.	10,000 ft.	10,000 ft.
Non-Operating Conditions					
Temperature	-25°C to 70°C (-13°F to 158°F)	-25°C to 70°C (-13°F to 158°F)	-25°C to 70°C (-13°F to 158°F)	-25°C to 70°C (-13°F to 158°F)	-25°C to 70°C (-13°F to 158°F)
Relative humidity	10% to 90%	10% to 90%	10% to 90%	10% to 90%	10% to 90%
Altitude	15,000 ft.	15,000 ft.	15,000 ft.	15,000 ft.	15,000 ft.

For More Information

- For additional specifications on the ASA 5512-X and ASA 5515-X models, see the product data sheet at the following URL:
http://www.cisco.com/en/US/prod/collateral/vpndevc/ps6032/ps6094/ps6120/data_sheet_c78-701253.html
- For additional specifications on the ASA 5525-X ASA 5545-X and ASA 5555-X models, see the product data sheet at the following URL:
http://www.cisco.com/en/US/prod/collateral/vpndevc/ps6032/ps6094/ps6120/data_sheet_c78-701808.html

Console Cable Pinouts

- [RJ-45 Console Cable, page 1-16](#)
- [RJ-45 to DB-9 Console Adapter, page 1-18](#)

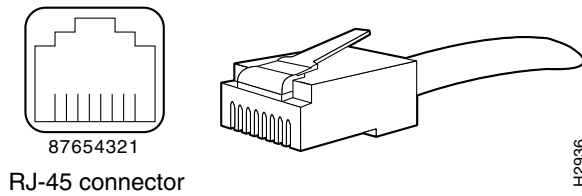
RJ-45 Console Cable

Cisco products use the following types of RJ-45 cables:

- Straight-through
- Crossover

Figure 1-9 shows the RJ 45 cable.

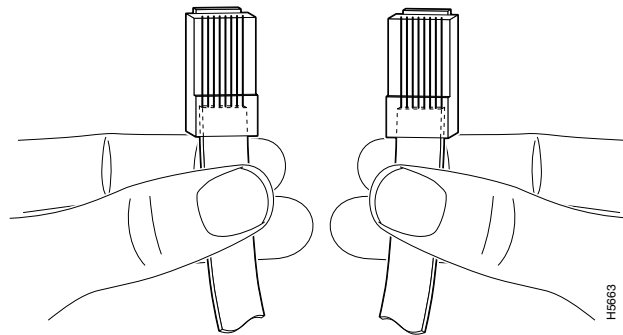
Figure 1-9 RJ-45 Cable



RJ-45 connector

To identify the RJ-45 cable type, hold the two ends of the cable next to each other so that you can see the colored wires inside the ends, as shown in Figure 1-10.

Figure 1-10 RJ-45 Cable Identification



Examine the sequence of colored wires to determine the type of RJ-45 cable, as follows:

- Straight-through—The colored wires are in the same sequence at both ends of the cable.
- Crossover—The first (far left) colored wire at one end of the cable is the third colored wire at the other end of the cable.

Table 1-5 lists the rolled (console) cable pinouts for RJ-45.

Table 1-5 RJ-45 Rolled (Console) Cable Pinouts

Signal	Pin	Pin	Pin
-	1	8	-
-	2	7	-
-	3	6	-
-	4	5	-
-	5	4	-
-	6	3	-
-	7	2	-
-	8	1	-

RJ-45 to DB-9 Console Adapter

Table 1-6 lists the cable pinouts for RJ-45 to DB-9 or DB-25.

Table 1-6 Cable Pinouts for RJ-45 to DB-9 or DB-25

Signal	RJ-45 Pin	DB-9 Pin
RTS	1	7
DTR	2	4
TxD	3	3
GND	4	5
GND	5	5
RxD	6	2
DSR	7	6
CTS	8	8



Preparing for Installation

The information in this guide applies to the following Cisco ASA 5500-X series models: ASA 5512-X, 5515-X, 5525-X, 5545-X, and 5555-X.

In this guide, references to “Cisco ASA 5500-X series ” and “ASA” apply to all models unless specifically noted otherwise.

This chapter describes the steps to follow before installing new hardware or performing hardware upgrades, and it includes the following sections:

- [Installation Overview, page 2-1](#)
- [Safety Recommendations, page 2-1](#)
- [General Site Requirements, page 2-3](#)

Installation Overview

To prepare for the installation of the chassis, perform the following steps:

-
- | | |
|---------------|---|
| Step 1 | Review the safety precautions outlined in the Regulatory Compliance and Safety Information document for the ASA 500-X. See http://www.cisco.com/go/asadocs for links to the RCSI and other ASA documents. |
| Step 2 | Read the ASA release notes for your software version. |
| Step 3 | Unpack the chassis and accessories. |
| Step 4 | Place the chassis on a stable work surface. |
| Step 5 | Follow the directions for mounting the chassis in a rack in the “ Rack Mounting the Chassis ” section on page 3-1 . |
| Step 6 | Follow the directions for establishing network connectivity in the “ Connecting Cables, Turning on Power, and Verifying Connectivity ” section on page 3-13 . |
-

Safety Recommendations

Use the following guidelines and the information in the following sections to help ensure your safety and protect the ASA. The list of guidelines may not address all potentially hazardous situations in your working environment, so be alert and exercise good judgement at all times.

**Note**

If you need to remove the chassis cover to install a hardware component, such as additional memory or an interface card, doing so does not affect your Cisco warranty. Upgrading the ASA does not require any special tools and does not create any radio frequency leaks.

Observe the following safety guidelines:

- Keep the chassis area clear and dust-free before, during, and after installation.
- Keep tools away from walk areas in which you and others might fall over them.
- Do not wear loose clothing or jewelry, such as earrings, bracelets, or chains that could get caught in the chassis.
- Wear safety glasses if you are working under any conditions that might be hazardous to your eyes.
- Do not perform any action that creates a potential hazard to people or makes the equipment unsafe.
- Never attempt to lift an object that is too heavy for one person to handle.

This section includes the following topics:

- [Maintaining Safety with Electricity, page 2-2](#)
- [Preventing Electrostatic Discharge Damage, page 2-3](#)
- [Working in an ESD Environment, page 2-3](#)

Maintaining Safety with Electricity

**Warning**

Before working on a chassis or working near power supplies, unplug the power cord on AC units; disconnect the power at the circuit breaker on DC units. Statement 12

Follow these guidelines when working on equipment powered by electricity:

- Before beginning procedures that require access to the interior of the chassis, locate the emergency power-off switch for the room in which you are working. Then, if an electrical accident occurs, you can act quickly to turn off the power.
- Do not work alone if potentially hazardous conditions exist anywhere in your work space.
- Never assume that power is disconnected from a circuit; always check the circuit.
- Look carefully for possible hazards in your work area, such as moist floors, ungrounded power extension cables, frayed power cords, and missing safety grounds.
- If an electrical accident occurs, proceed as follows:
 - Use caution; do not become a victim yourself.
 - Disconnect power from the system.
 - If possible, send another person to get medical aid. Otherwise, assess the condition of the victim, and then call for help.
 - Determine whether or not the person needs rescue breathing or external cardiac compressions; then take appropriate action.
- Use the ASA chassis within its marked electrical ratings and product usage instructions.
- Install the ASA in compliance with local and national electrical codes as listed in the REgulatory Compliance and Safety Information document.

- The ASA models equipped with AC-input power supplies are shipped with a 3-wire electrical cord with a grounding-type plug that fits only a grounding-type power outlet. Do not circumvent this safety feature. Equipment grounding should comply with local and national electrical codes.
- The ASA 5500-X models equipped with AC-input power supplies and are shipped with a 3-wire electrical cord with a grounding-type plug that fits into a grounding-type power outlet only. Do not circumvent this safety feature. Equipment grounding should comply with local and national electrical codes.

Preventing Electrostatic Discharge Damage

Electrostatic discharge (ESD) can damage equipment and impair electrical circuitry. ESD damage occurs when electronic components are improperly handled and can result in complete or intermittent failures.

- Always follow ESD-prevention procedures when removing and replacing components. Ensure that the chassis is electrically connected to an earth ground. Wear an ESD-preventive wrist strap, ensuring that it makes good skin contact. Connect the grounding clip to an unpainted surface of the chassis frame to safely ground ESD voltages. To properly guard against ESD damage and shocks, the wrist strap and cord must operate effectively. If no wrist strap is available, ground yourself by touching the metal part of the chassis.
- For safety, periodically check the resistance value of the antistatic strap, which should be between 1 and 10 megohms (Mohms).

Working in an ESD Environment

- Electrostatic discharge (ESD) can damage equipment and impair electrical circuitry. ESD damage occurs when electronic components are improperly handled and can result in complete or intermittent failures. Always follow ESD-prevention procedures when you remove and replace components. Ensure that the chassis is electrically connected to earth ground. Wear an ESD-preventive wrist strap, ensuring that it makes good skin contact. Connect the grounding clip to an unpainted surface of the chassis frame to safely ground unwanted ESD voltages. To guard against ESD damage and shocks, the wrist strap and cord must operate properly. If no wrist strap is available, ground yourself by touching the metal part of the chassis.

General Site Requirements

The topics in this section describe the requirements your site must meet for safe installation and operation of your system. Ensure that your site is properly prepared before beginning installation.

This section includes the following topics:

- [Site Environment, page 2-4](#)
- [Preventive Site Configuration, page 2-4](#)
- [Power Supply Considerations, page 2-4](#)
- [Configuring Equipment Racks, page 2-6](#)

Site Environment

Place the chassis on a desktop or mount it on a rack. The location of the chassis and the layout of the equipment rack or wiring room are extremely important for proper system operation. Placing equipment too close together with inadequate ventilation and inaccessible panels can cause system malfunctions and shutdowns. Improper placement can also make it difficult for you to access the chassis for maintenance.

For information about physical specifications, see the [“Hardware Specifications” section on page 1-15](#).

When planning the site layout and equipment locations, keep in mind the precautions described in the next section [“Preventive Site Configuration, page 2-4,”](#) to help avoid equipment failures and reduce the possibility of environmentally caused shutdowns. If you are currently experiencing shutdowns or unusually high error rates with your existing equipment, these precautions may help you isolate the cause of failures and prevent future problems.

Preventive Site Configuration

The following precautions will help plan an acceptable operating environment for the chassis and avoid environmentally caused equipment failures:

- Electrical equipment generates heat. Ambient air temperature might not be adequate to cool equipment to acceptable operating temperatures without adequate circulation. Ensure that the room in which you operate your system has adequate air circulation.
- Always follow the ESD-prevention procedures described previously to avoid damage to equipment. Damage from static discharge can cause immediate or intermittent equipment failure.
- Ensure that the chassis cover is secure. The chassis is designed to allow cooling air to flow effectively within it. An open chassis allows air leaks, which may interrupt and redirect the flow of cooling air from the internal components.

Power Supply Considerations

Observe the following considerations:

- Check the power at the site before installing the chassis to ensure that the power is “clean” (free of spikes and noise). Install a power conditioner, if necessary, to ensure proper voltages and power levels in the source voltage.
- Install proper grounding for the site to avoid damage from lightning and power surges.
- The ASA chassis does not have a user-selectable operating range. Refer to the label on the chassis for the correct AC-input power requirement.
- Several styles of AC-input power supply cords are available; make sure that you have the correct style for your site.
- Install an uninterruptible power source for your site, if possible.

You also need to provide power to the switch with the appropriate AC power cord for your location. [Table 2-1](#) lists the power cords that are used with the AC power supply.

Table 2-1 AC-Input Power Cord Options

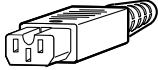
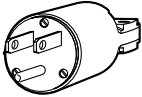
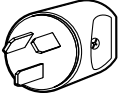
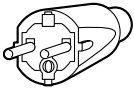
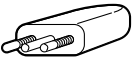

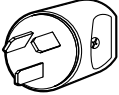
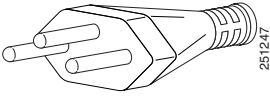
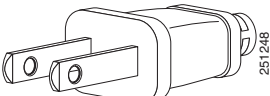
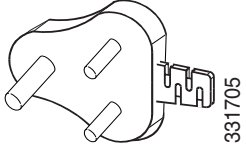
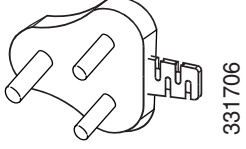
Locale	Part Number	Length	Plug Rating	Plug Type
300 W AC Power Supply				
Appliance Coupler				
North America	CAB-AC (72-0259)	8.2 ft (2.5 m)	125 VAC, 10 A	
Australia,	CAB-ACA (72-0746-01)	8.2 ft (2.5 m)	250 VAC, 10 A	
Europe (except Italy)	CAB-ACE (72-0460)	8.2 ft (2.5 m)	250 VAC, 10 A	
Italy	CAB-ACI 72-0556	8.2 ft (2.5 m)	250 VAC, 10 A	
Singapore	CAB-ACU 72-0557	8.2 ft (2.5 m)	250 VAC, 10 A	
United Kingdom				
Argentina	CAB-ACR (37-0995-01)	8.2 ft (2.5 m)	250 VAC, 10 A	
Switzerland	CAB-ACS (72-1483-01)	8.2 ft (2.5 m)	250 VAC, 10 A	
Japan	CAB-JPN (72-1925-01)	8.2 ft (2.5 m)	250 VAC, 10 A	

Table 2-1 AC-Input Power Cord Options (continued)

Locale	Part Number	Length	Plug Rating	Plug Type
India	CAB-IND-10A (37-0863-01)	8.2 ft (2.5 m)	250 VAC, 10 A	 331705
South Africa	AIR-PWR-CORD-S A (37-0346-01)	8.2 ft (2.5 m)	250 VAC, 10 A	 331706

Configuring Equipment Racks

The following tips help you plan an acceptable equipment rack configuration:

- Enclosed racks must have adequate ventilation. Ensure that the rack is not overly congested because each chassis generates heat. An enclosed rack should have louvered sides and a fan to provide cooling air.
- When mounting a chassis in an open rack, ensure that the rack frame does not block the intake or exhaust ports. If the chassis is installed on slides, check the position of the chassis when it is seated all the way into the rack.
- In an enclosed rack with a ventilation fan in the top, excessive heat generated by equipment near the bottom of the rack can be drawn upward and into the intake ports of the equipment above it in the rack. Ensure that you provide adequate ventilation for equipment at the bottom of the rack.
- Baffles can help to isolate exhaust air from intake air, which also helps to draw cooling air through the chassis. The best placement of the baffles depends on the airflow patterns in the rack. Experiment with different arrangements to position the baffles effectively.



Installing and Connecting the ASA 5500-X

This chapter describes how to rack-mount the ASA and connect the interface cables, and it includes the following sections:

- [Rack Mounting the Chassis, page 3-1](#)
- [Connecting Cables, Turning on Power, and Verifying Connectivity, page 3-13](#)

Rack Mounting the Chassis

- [Rack Mounting Guidelines, page 3-1](#)
- [Rack Mounting the ASA 5512-X, 5515-X, and 5525-X With Brackets, page 3-2](#)
- [Rack Mounting the ASA 5500-X Chassis with Slide Rail Mounting System, page 3-4](#)

Rack Mounting Guidelines



Warning

To prevent bodily injury when mounting or servicing this unit in a rack, you must take special precautions to ensure that the system remains stable. The following guidelines are provided to ensure your safety: This unit should be mounted at the bottom of the rack if it is the only unit in the rack. When mounting this unit in a partially filled rack, load the rack from the bottom to the top with the heaviest component at the bottom of the rack. If the rack is provided with stabilizing devices, install the stabilizers before mounting or servicing the unit in the rack. Statement 1006

The following information can help plan equipment rack installation:

- Allow clearance around the rack for maintenance.
- If the rack contains stabilizing devices, install the stabilizers prior to mounting or servicing the unit in the rack.
- When mounting a device in an enclosed rack, ensure adequate ventilation. Do not overcrowd an enclosed rack. Make sure that the rack is not congested, because each unit generates heat.
- When mounting a device in an open rack, make sure that the rack frame does not block the intake or exhaust ports.
- If the rack contains only one unit, mount the unit at the bottom of the rack.
- If the rack is partially filled, load the rack from the bottom to the top, with the heaviest component at the bottom of the rack.

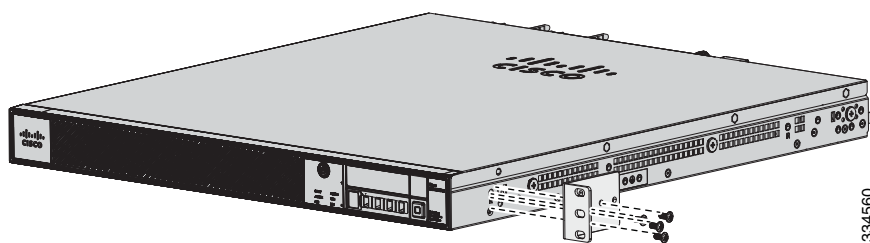
Rack Mounting the ASA 5512-X, 5515-X, and 5525-X With Brackets

The ASA 5512-X, 5515-X, and 5525-X appliances ship with rack mount brackets installed on the front of the chassis. If you want to mount the chassis to the back of the rack, you can move the brackets from the front to the back of the chassis.

Detailed Steps

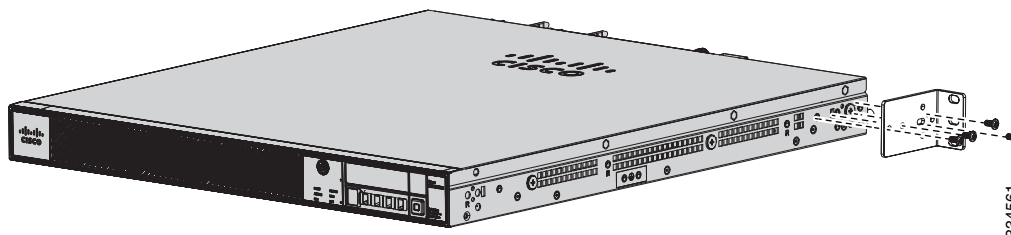
- Step 1** (Optional) Move the brackets to the back of the chassis to install it in the back of the rack.
- a. Remove the rack-mount brackets from the chassis as shown in [Figure 3-1](#).

Figure 3-1 Removing the Brackets from the Front of the Chassis



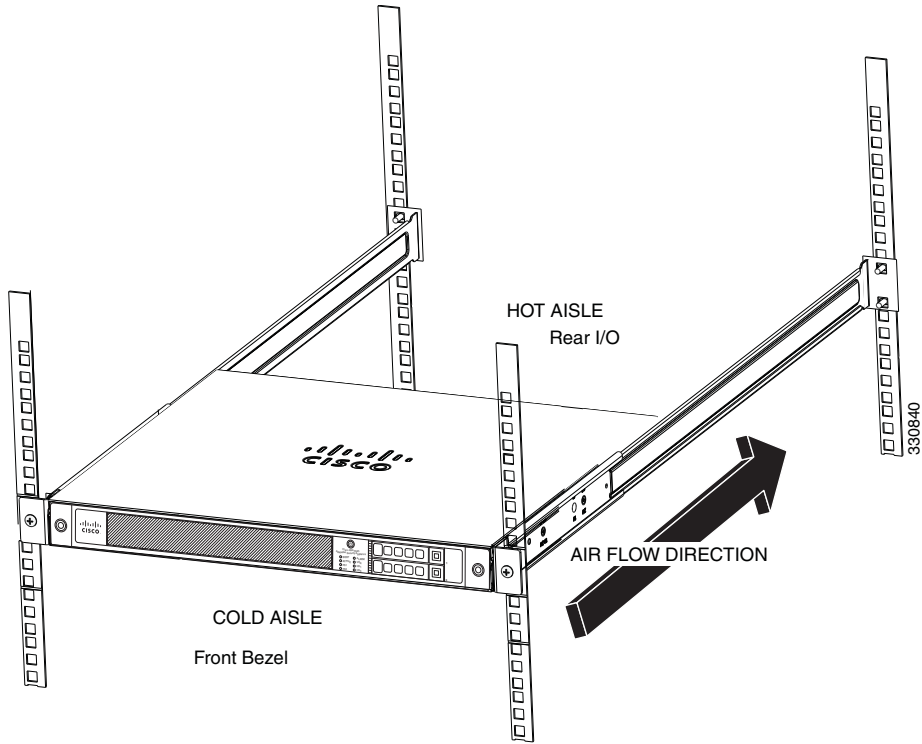
- b. Install the brackets on the back of the chassis by attaching the brackets to the holes in the chassis as shown in [Figure 3-2](#). After the brackets are secured to the chassis, you can rack-mount it.

Figure 3-2 Installing the Brackets on the Back of the Chassis



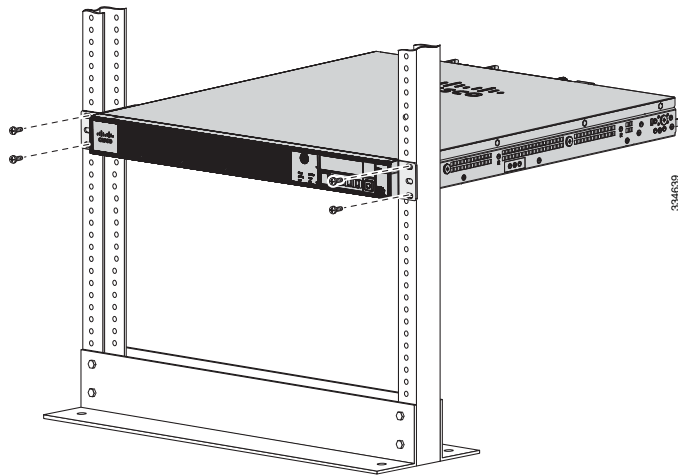
- Step 2** We recommend that you install the chassis with the front bezel facing the cold aisle. (See [Figure 3-3](#) for an example of air flow from front to back.)

Figure 3-3 Airflow Direction



Step 3 Attach the chassis to the rack using the supplied screws appropriate for your rack (Figure 3-4).

Figure 3-4 Rack-Mounting the Chassis



Rack Mounting the ASA 5500-X Chassis with Slide Rail Mounting System

The slide rail mounting system provides a quick, convenient, and secure method for rack mounting the chassis. While the 5545-X and 5555-X chassis ship with the slide rail mounting system and can be mounted using this system only, you can use the slide rail mounting system for any of the other ASA 5500-X series chassis, as well.

- [Preparing the ASA 5512-X, ASA 5515-X, or ASA 5525-X to Use an Optional Slide Rail Rack Mount System, page 3-4](#)
- [Rack Mounting the Chassis with the Slide Rail Mounting System, page 3-5](#)

Preparing the ASA 5512-X, ASA 5515-X, or ASA 5525-X to Use an Optional Slide Rail Rack Mount System

These instructions show how to prepare an ASA 5512-X, ASA 5515-X, or ASA 5525-X chassis for mounting with the slide rail rack mount system. These chassis models ship with preinstalled fixed rack-mount brackets, which must be replaced with the die-cast brackets that ship in the slide rail rack mount kit.

Detailed Steps

-
- Step 1** From the slide rail rack mount kit, locate the two die-cast brackets, the six screws, and the four shoulder screws that you need to prepare your chassis for installation in the side rail rack.
- Step 2** Remove the preinstalled fixed rack-mount bracket on either side of the chassis by removing the three bracket screws that hold each bracket in place. (See [Figure 3-5](#).)

Figure 3-5 Remove Preinstalled Screws and Brackets on Either Side of Chassis



- Step 3** Install a die-cast bracket to either side of the chassis by aligning and inserting the tab at the end of the bracket into the hole on the chassis and then hinging it into position so that the bracket is flush with the front face plate (bezel) of the chassis. Secure each bracket to the chassis with three screws. (See [Figure 3-6](#).)

Figure 3-6 *Install Die-Cast Brackets with Three Screws*



- Step 4** Install two shoulder screws into the threaded hole locations on either side of the chassis (see [Figure 3-7](#) for one side), and ensure that they are tight.

Figure 3-7 *Install Two Shoulder Screws on Either Side of the Chassis*



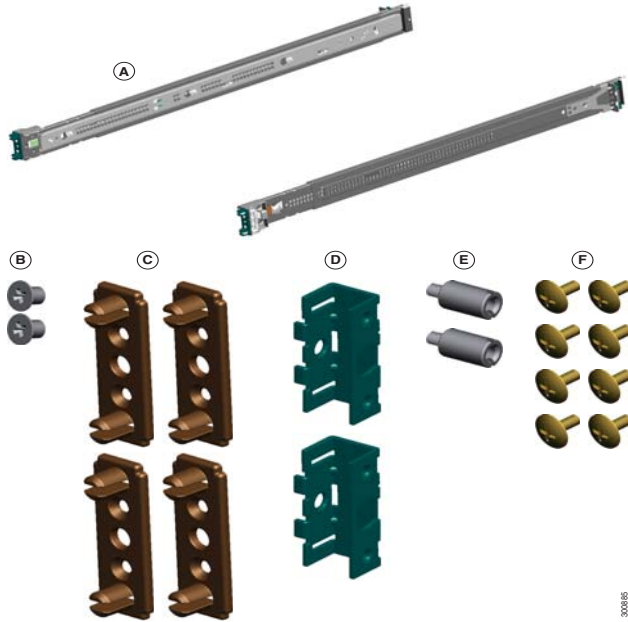
Rack Mounting the Chassis with the Slide Rail Mounting System

This section describes how to rack mount the chassis using the slide rail mounting system.

Although slide rail mounting is preferred, in the case of two-rail racks where the slide rails will not fit, you can use the rack mounting brackets. You must order them separately (ASA-BRACKETS=). Note that there will be a slight bend in the brackets when you attach them. For the procedure for attaching the brackets to the front or back of the chassis, see the [“Rack Mounting the ASA 5512-X, 5515-X, and 5525-X With Brackets”](#) section on page 3-2.

Prerequisites

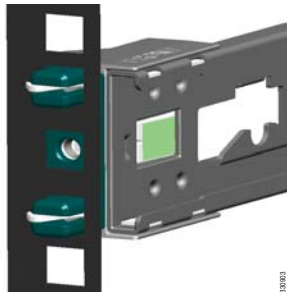
Verify the Box Contents



A	Slide Rails (x2) (preconfigured for square hole racks)	B	Phillips flat-head screws for Inner Slide (x2)
C	Round Hole Inserts for round hole racks (x4)	D	Threaded Hole Brackets for threaded hole racks (x2)
E	Threaded Hole Standoffs for threaded hole racks (x2)	F	Phillips pan-head screws for threaded hole racks (x8)

Verify the Rack Type

The slide rails are pre-assembled for square hole racks. Additional steps are required for round hole racks and threaded hole racks. The following figure shows the slide rail with square hole rack inserts.



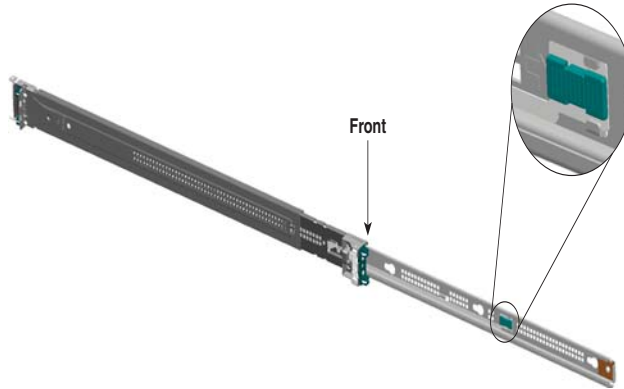
Tools Required

- Phillips screwdriver
- Flat-head screwdriver (for threaded hole racks)

Detailed Steps

Step 1 Disassemble the slide rail.

- a. Pull the inner slide rail from the outer slide rail.



- b. Slide the plastic tab forward, and pull the inner slide rail to disconnect it from the outer slide rail.



- c. Repeat these steps for the other slide rail.

Step 2 Attach the inner rails to the chassis.

- a. Align one of the inner slide rail key holes over the chassis shoulder screw on one side. Slide the inner slide rail forward so that the shoulder screw is securely in place.



- b. Use a Phillips screwdriver to secure the inner slide rail with one Phillips flat-head screw (B).



- c. Secure the other inner slide rail to the chassis by repeating the previous steps on this page.

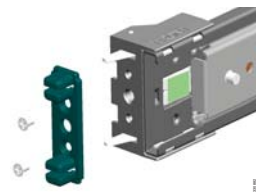


Step 3 (Round and Threaded Hole Racks Only) Customize the slide rails for round hole racks or threaded hole racks.

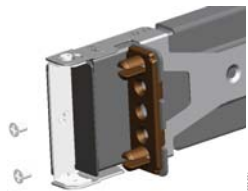
- a. Using a Phillips head screwdriver, remove the square insert from the rear of the rail. Keep the two Phillips head screws.



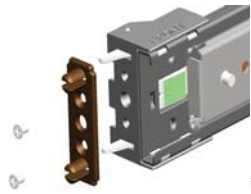
- b. Remove the square insert from the front of the rail. Keep the two Phillips head screws.



- c. (Round hole racks only) Align the round hole (C) insert to the rear of the rail, and secure it with two of the saved screws.



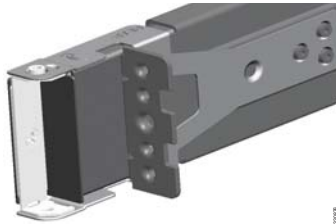
- d. Align the round hole insert (C) or threaded hole bracket (D) to the front of the rail over the hooks.
- **Round hole insert**—Secure it with two of the saved screws.



- **Threaded hole insert**—Secure it with the threaded hole standoff (E) using a flat-head screwdriver.



No additional hardware is necessary for the rear adapter.



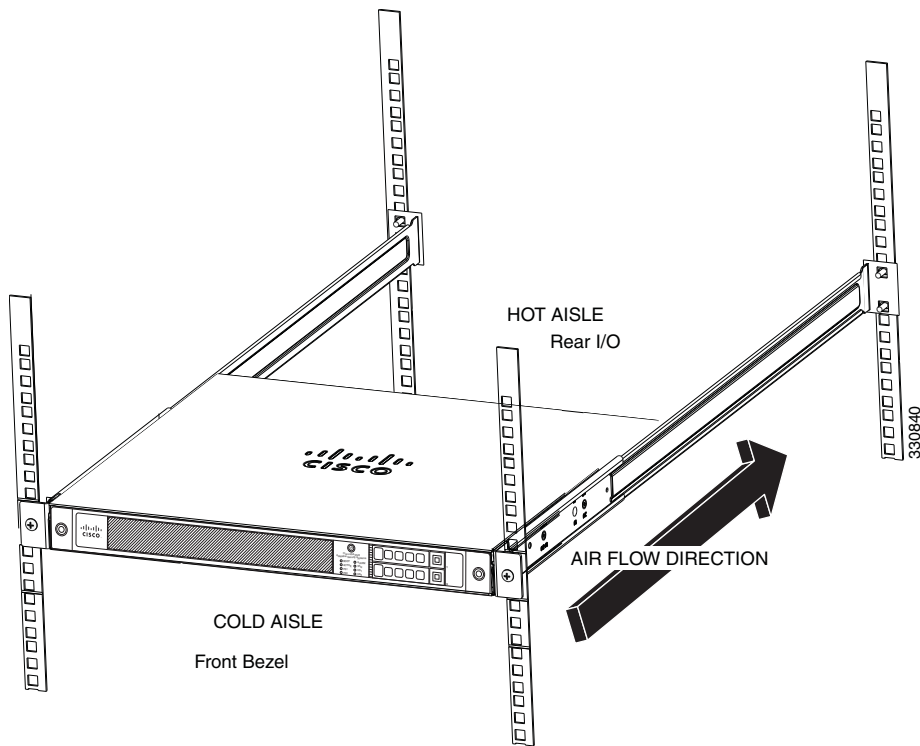
- e. Repeat these steps for the other slide rail.

Step 4 Attach the outer slide rail to the rack.



Note We recommend that you install the chassis with the front bezel facing the cold aisle. (See [Figure 3-3](#) for an example of air flow from front to back.)

Figure 3-8 Airflow Direction



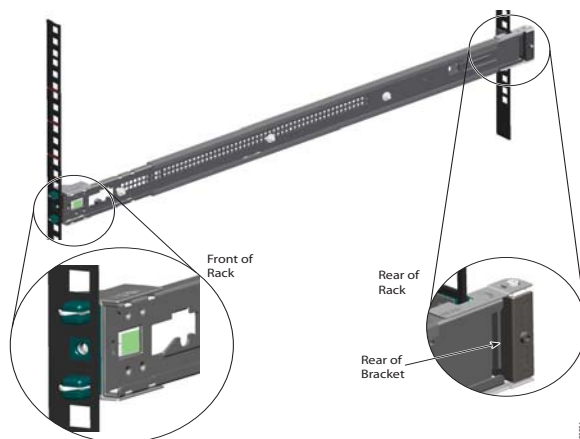
Round and Square Hole Racks

- a. Align the front of one of the outer slide rails with the rack upright, push it forward, and click it into place. Align the rear of the outer slide rail with the rack upright, pull the release tab, push the slide rail toward the rack, release the tab, and click it into place.



Note

For racks shorter than 24 inches in depth, remove the rear bracket with a Phillips head screwdriver, pull the release tab, and adjust the slide rail to the appropriate length for the rack.

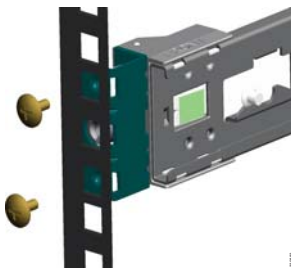


- b. Secure the other outer slide rail to the rack.

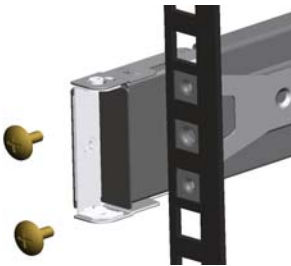


Threaded Hole Racks

- a. Align the slide rail to the front rack post. Secure it with two of the included Phillips pan-head screws (F).



- b. Align the slide rail to the rear rack post. Secure it with two of the included Phillips pan-head screws (F).



- c. Align the other slide rail to the rack.

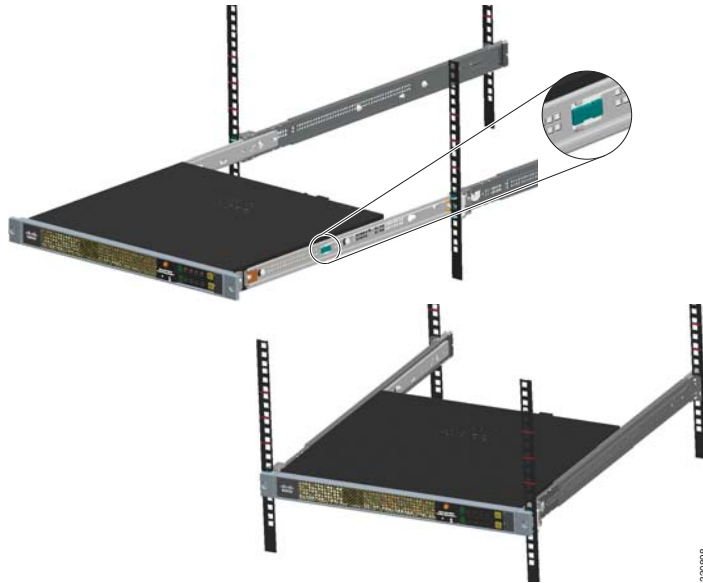


Step 5 Install the chassis.

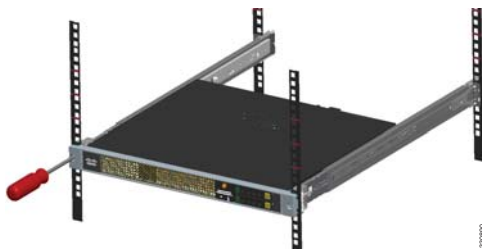
- a. Align the inner slide rails to the outer slide rails. Install the inner slide rails into the outer slide rails until they lock into place.



- b. Pull the side release tabs to unlock the inner slide rail, and push the chassis assembly into the rack.



- Step 6** Secure the chassis to the rack with the front captive screws.



Connecting Cables, Turning on Power, and Verifying Connectivity

This section describes how to connect the cables to the chassis and how to turn on the power.

Guidelines



Only trained and qualified personnel should install, replace, or service this equipment. Statement 49



Be sure to read the safety warnings in the Regulatory Compliance and Safety information document for the ASA 5500-X and follow proper safety procedures when performing all tasks in this guide. See the RCSI at http://www.cisco.com/en/US/docs/security/asa/hw/regulatory/compliance/asa5500x_rcsi.html.

The Cisco ASA 5500-X series hardware operates on AC power and supports the ability to restore the previous power state of the system in the event that AC power is lost.

Earlier ASAs (V01) require you to turn on the power with the power switch. Newer ASAs (V02) automatically turn on when you plug in the power cable. To determine your version, do one of the following:

- At the CLI, enter the **show inventory** command and look for V01 or V02 in the output.
- On the back of the chassis, look at the VID PID label for V01 or V02.

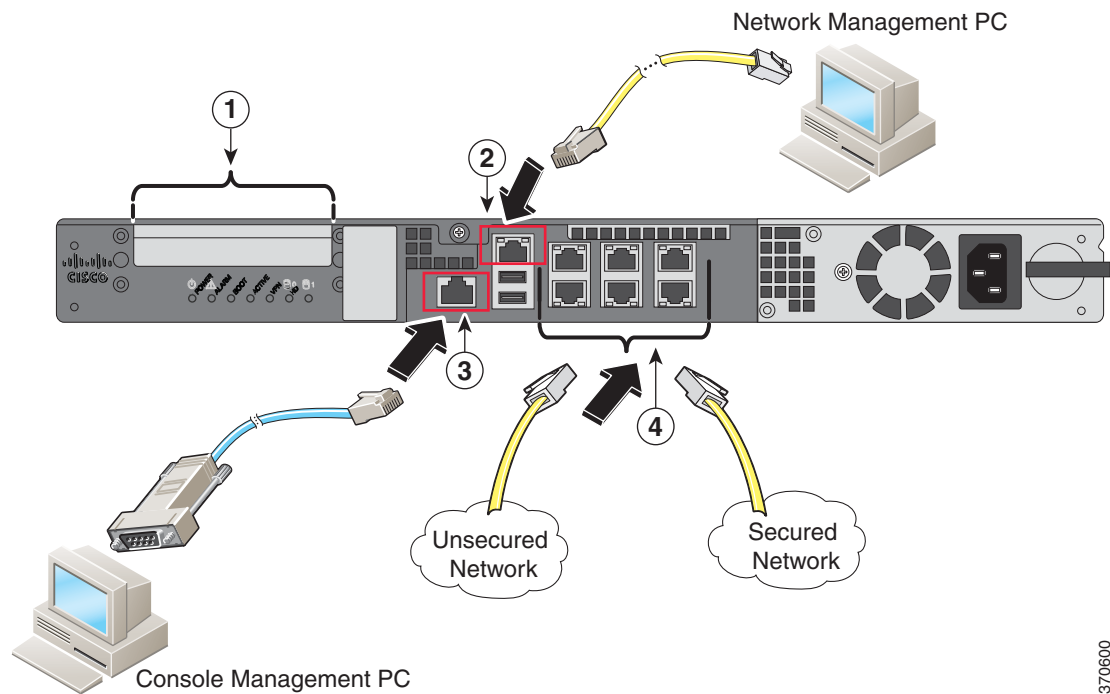
For the V01 chassis, see the following limitations:

- The ASA requires 50 seconds from the time that AC power is applied before the power state can be updated and stored. This means that any changes to the power state within the first 50 seconds of applying AC power will not be observed if AC power is removed within that time.
- The ASA requires 10 seconds from the time it is placed into standby mode before the power state can be updated and stored. This means any changes to the power state within the first 10 seconds of entering standby mode (including the standby mode itself) will not be observed if AC power is removed within that time.

For the V02 chassis, the above limitations do not apply.

Detailed Steps

-
- Step 1** Place the chassis on a flat, stable surface, or in a rack (if you are rack-mounting it.)
- Step 2** Connect the interface cables.



370600

1	(Optional) I/O Card. If you have a fiber I/O card, you need to use SFP modules (not included).	2	Management 0/0 interface (RJ-45)
3	Console port (RJ-45)	4	Gigabit Ethernet interfaces (RJ-45)

- a. Management 0/0 interface—For use with ASDM or CLI. You can connect the management PC directly with an Ethernet cable, or connect the PC and the ASA to the same management network. Make sure the PC is configured to obtain an IP address using DHCP.



Note You can configure any interface to be a management-only interface using the **management-only** command. You cannot disable management-only mode on the management interface.

- b. (Optional) Console port—For use with the CLI. Connect the management PC or terminal server using the included serial console cable. The console cable has a DB-9 connector on one end for the serial port on your computer, and the other end is an RJ-45 connector. If your PC does not have a serial port, you will need to obtain a DB-9-to-USB serial adapter.
- c. Gigabit Ethernet interfaces—For data networks. For the pre-installed network interfaces, use a standard RJ-45 Ethernet cable. For the optional I/O card, use SFP modules. See the [“Installing and Removing the SFP Modules”](#) section on page 4-11.



Note You can use any unused Gigabit Ethernet interface on the ASA as the failover link. The failover link interface is not configured as a normal networking interface; it should only be used for the failover link. You can connect the failover link by using a dedicated switch with no hosts or routers on the link or by using an Ethernet cable to link the units directly.

- Step 3** Connect the power cord to the ASA, and connect the other end to your power source.
- Step 4** For newer ASAs, the power turns on automatically when you plug in the power cable; do not press the power button on the front panel.
For older ASAs, press the power button.
- Step 5** Check the Power LED on the front of the ASA chassis. When it is solid green, the ASA is powered on.
- Step 6** Check the Status LED on the front of the ASA chassis. When it is solid green, the ASA has passed power-on diagnostics.
-



Maintenance and Upgrade Procedures for the ASA 5500-X

This chapter includes the following sections:

- [Removing and Replacing the Chassis Cover, page 4-1](#)
- [Installing an I/O Card, page 4-3](#)
- [Installing and Removing the SFP Modules, page 4-11](#)
- [Removing and Installing the Power Supply, page 4-13](#)
- [Installing and Removing the Solid State Drive for the ASA CX SSP, page 4-21](#)

Removing and Replacing the Chassis Cover

This section describes how to remove and replace the chassis cover. This section includes the following topics:

- [Removing the Chassis Cover, page 4-1](#)
- [Replacing the Chassis Cover, page 4-2](#)

Removing the Chassis Cover

To remove the chassis cover, perform the following steps.

Prerequisites

Read the *Regulatory Compliance and Safety Information for the Cisco ASA 5500-X Series document*.

Detailed Steps

Step 1 Power off the chassis.



Warning

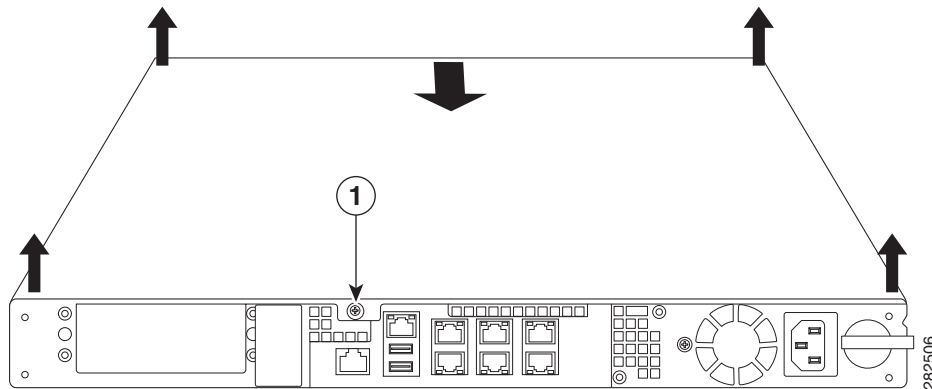
Before working on a system that has an On/Off switch, turn OFF the power and unplug the power cord.
Statement 1

- Step 2** Turn the thumbscrew on the front of the chassis. See [Figure 4-1](#). You may need to use a screwdriver if the screw is too tight.



Note Removing the chassis cover does not affect Cisco warranty. Upgrading the ASA does not require any special tools and does not create any radio frequency leaks.

Figure 4-1 Removing the Chassis Cover



1	Thumbscrew
----------	------------

- Step 3** With the rear of the chassis facing you, pull the chassis cover forward then lift the cover up. (See [Figure 4-1](#).)
- Step 4** Place the cover in a safe place.

Replacing the Chassis Cover



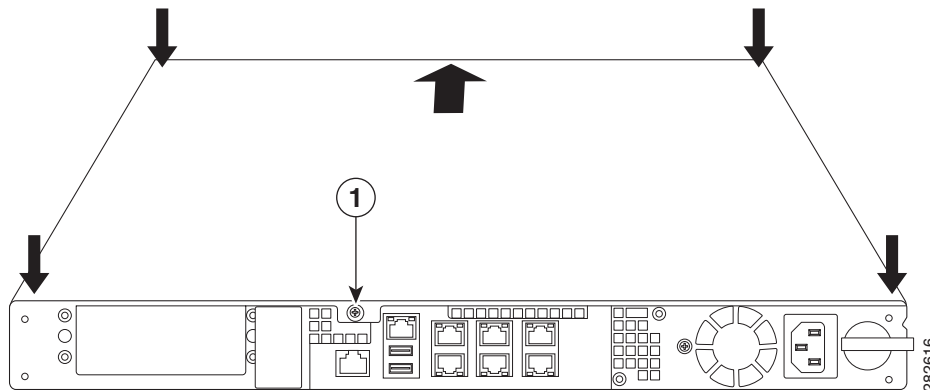
Caution

Do not operate the ASA without the chassis cover installed. The chassis cover protects the internal components, prevents electrical shorts, and provides proper air-flow for cooling the electronic components.

To replace the chassis cover, perform the following steps.

Detailed Steps

- Step 1** Place the chassis on a secure surface with the front panel facing you.
- Step 2** Lower the front of the chassis cover onto the chassis, slide it forward until it fits into place, and tighten the thumbscrew to secure the chassis cover. (See [Figure 4-2](#).)

Figure 4-2 Replacing the Chassis Cover

1	Thumbscrew
----------	------------

- Step 3** Reinstall the chassis on a rack.
- Step 4** Reinstall the network interface cables.
- Step 5** Power on the chassis.

Installing an I/O Card

- [Installing an I/O Card in the Cisco ASA 5512-X, 5515-X, and 5525-X Chassis, page 4-3](#)
- [Installing an I/O Card in the Cisco ASA 5545-X and 5555-X Chassis, page 4-7](#)

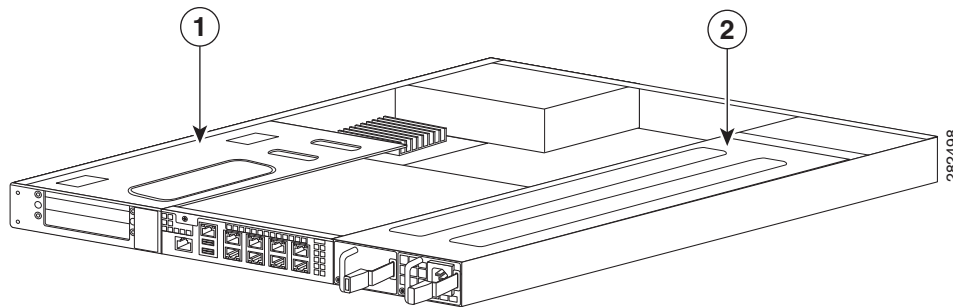
Installing an I/O Card in the Cisco ASA 5512-X, 5515-X, and 5525-X Chassis

To remove an existing I/O card and install a new one, perform the following steps.

Detailed Steps

- Step 1** Power off the chassis, remove the power cable from the chassis, and remove the chassis from the rack.
- Step 2** Locate a grounding strap, and fasten it to your wrist so that it contacts bare skin. Attach the other end to the chassis. See the [“Working in an ESD Environment”](#) section on page 2-3 for more information.
- Step 3** With a Phillips head screwdriver, loosen the captive installation screw on the rear of the chassis
- Step 4** Remove the chassis cover by placing your hand on top of the chassis lid, pressing down firmly, and pushing the cover toward the rear of the chassis.
- Step 5** Determine the location of the I/O card. (See [Figure 4-3.](#))

Figure 4-3 I/O Card Location



1	I/O Card holder
2	Power supply

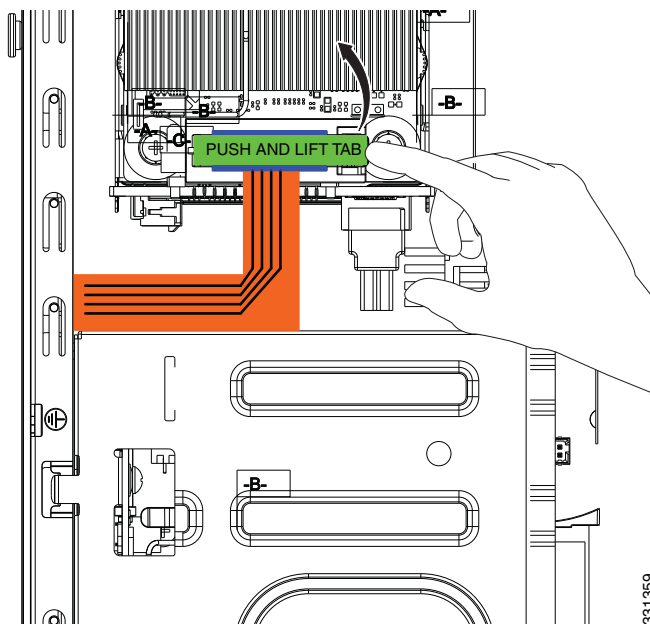


Caution

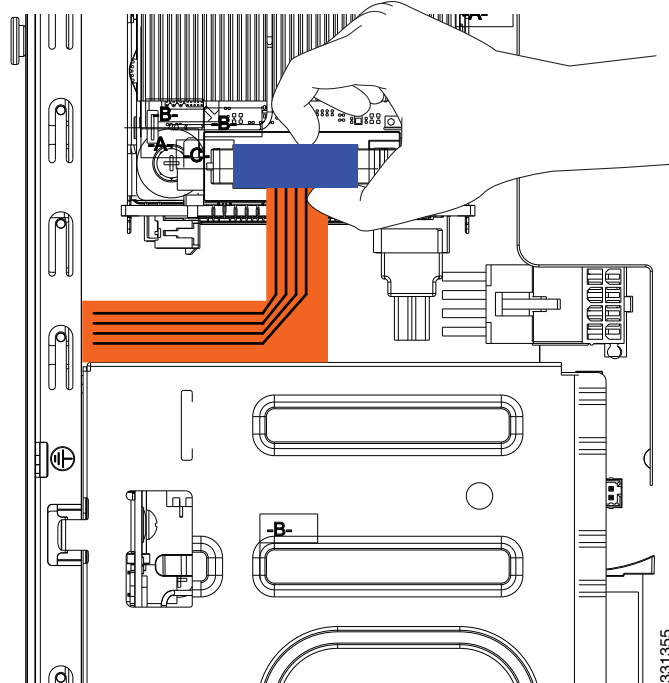
You must disconnect the blue Regex flexible circuit connector from the motherboard before removing the I/O card from the chassis. The copper-colored Regex flexible circuit can break during the I/O card removal or installation process, so handle it with care.

Step 6 To expose the blue connector of the Regex flexible circuit, push down on the center of the green connector clamp, and lift the right end of the clamp to release the lock. (See [Figure 4-4.](#))

Figure 4-4 Removing the Connector Clamp



Step 7 Disconnect the blue Regex cable connector from the motherboard by lifting carefully but firmly. (See [Figure 4-5.](#))

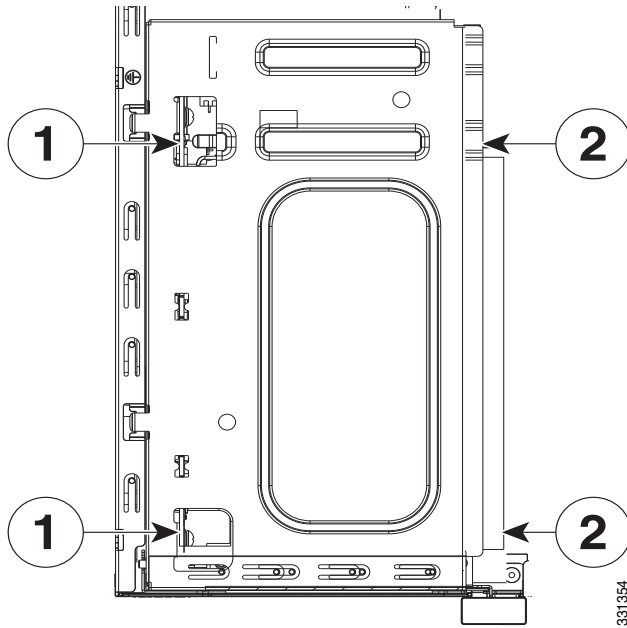
Figure 4-5 Removing the Regex Cable Connector

- Step 8** Lift the I/O card out of the chassis with both hands by placing an index finger into each of the card cover vents and placing your thumbs on the edge of the card cover. (See [Figure 4-6 on page 4-6.](#)) Use firm upward pressure and a gentle rocking motion, as the card is firmly seated.

**Caution**

Keep hands clear of all electronics underneath the card cover.

Figure 4-6 Lift the I/O Card Upward to Release it

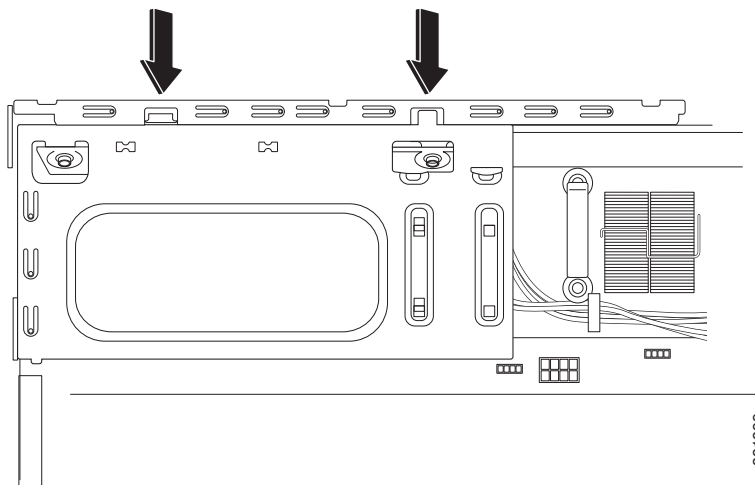


1	Index finger placement
2	Thumb placement

Step 9 Insert the new I/O card into the chassis. (See [Figure 4-7](#).) The I/O card fits properly if the following criteria are met:

- a. The PCIe bus is properly inserted on the motherboard
- b. The small black plastic guide slides all the way into the chassis
- c. The two hooks on the assembly plug into the two slots on the edge of the chassis

Figure 4-7 Installing the I/O Card



- Step 10** Connect the blue connector end of the Regex ribbon cable to the motherboard, and close the green tab.
- Step 11** Install the chassis cover, and replace the chassis in the rack.
- Step 12** Install the power cable.
- Step 13** For newer ASAs, the power turns on automatically when you plug in the power cable; do not press the power button on the front panel.
For earlier ASAs, press the power button.
The LEDs will blink when traffic begins to pass through.

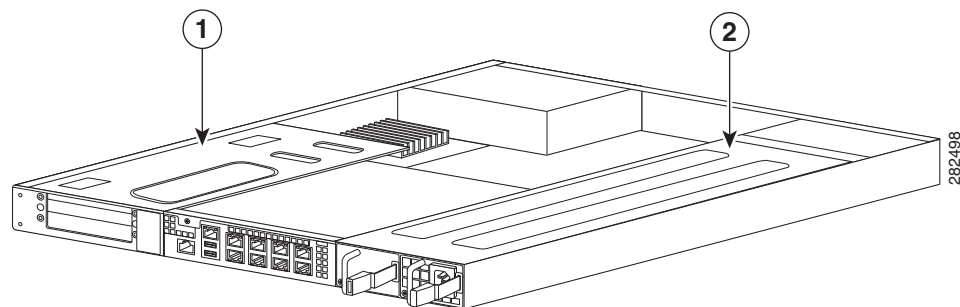
Installing an I/O Card in the Cisco ASA 5545-X and 5555-X Chassis

To replace an I/O card in an ASA 5545-X or 5555-X chassis, follow these steps.

Detailed Steps

- Step 1** Power off the chassis, remove the power cable from the chassis, and remove the chassis from the rack.
- Step 2** Locate a grounding strap, and fasten it to your wrist so that it contacts bare skin. Attach the other end to the chassis. See the [“Working in an ESD Environment”](#) section on page 2-3 for more information.
- Step 3** With your fingers, loosen the captive installation screw on the rear of the chassis.
- Step 4** Remove the chassis cover by placing your hand on top of the chassis lid, pressing down firmly, and pushing the cover toward the rear of the chassis.
- Step 5** Determine the location of the I/O card. (See [Figure 4-8](#).)

Figure 4-8 I/O Card Location



1	I/O Card holder
2	Power supply

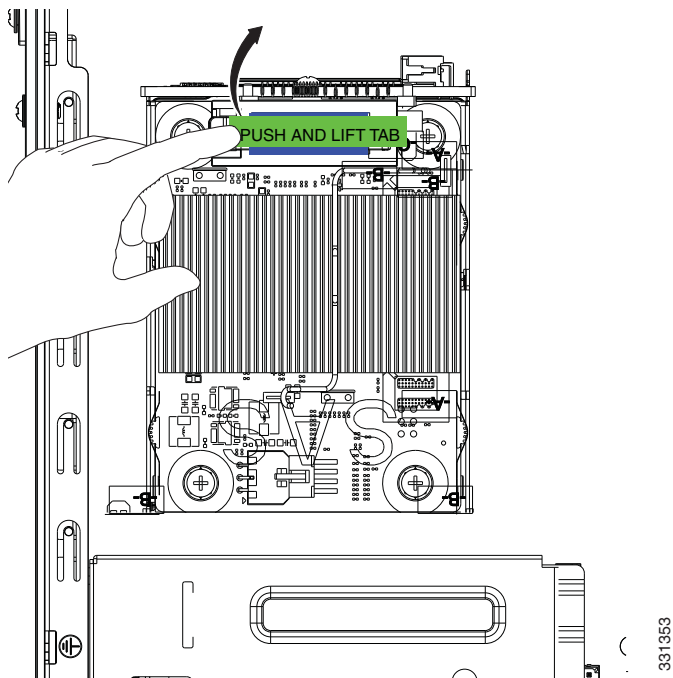


Note

You must disconnect the blue Regex flexible circuit connector from the motherboard before removing the I/O card from the chassis. The copper-colored Regex flexible circuit can break during the I/O card removal or installation process, so handle it with care.

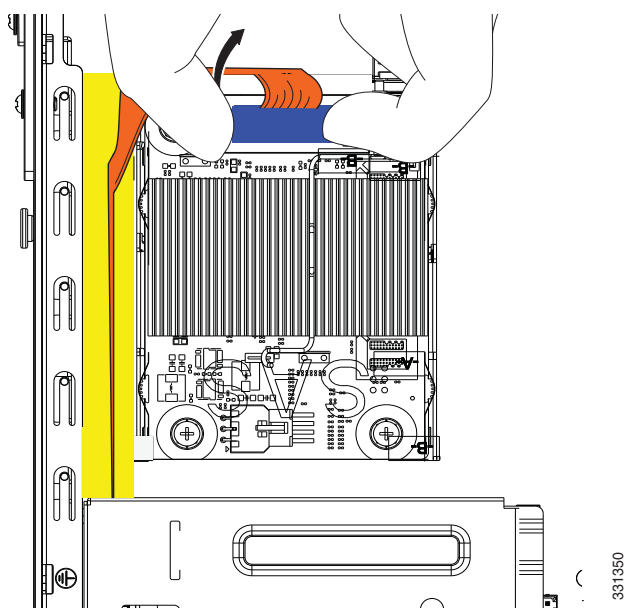
- Step 6** To expose the blue connector on the end of the Regex flexible circuit, push down on the center of the green connector clamp, and lift the end of the clamp to release the lock. (See [Figure 4-9](#).)

Figure 4-9 Removing the Connector Clamp



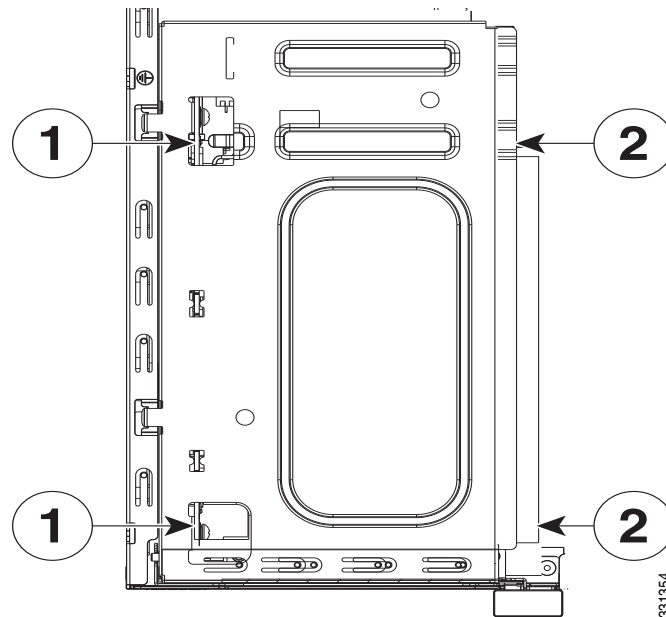
- Step 7** Disconnect the blue connector from the board by lifting carefully but firmly. (See [Figure 4-10](#).)

Figure 4-10 Removing the Regex Cable Connector



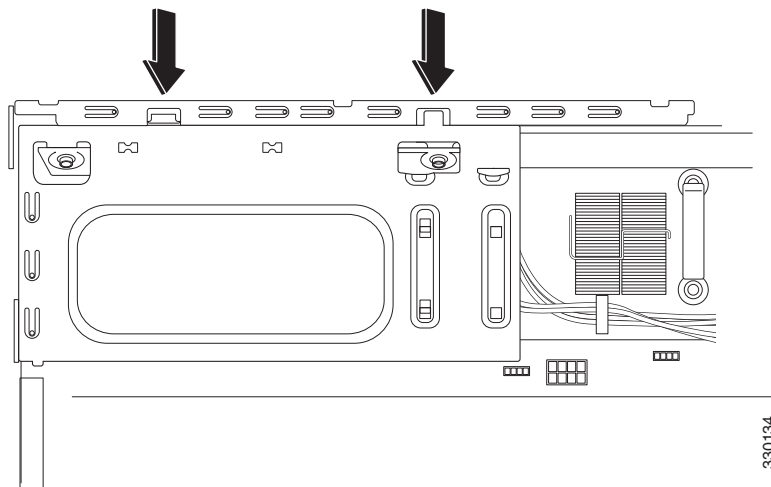
- Step 8** Lift the I/O card out of the chassis with both hands by placing an index finger into each of the card cover vents and placing a thumb on the edge of the card cover. (See [Figure 4-11](#).) Use firm upward pressure and a gentle rocking motion, as the card is firmly seated.

Figure 4-11 Lift the I/O Card Upward to Release it



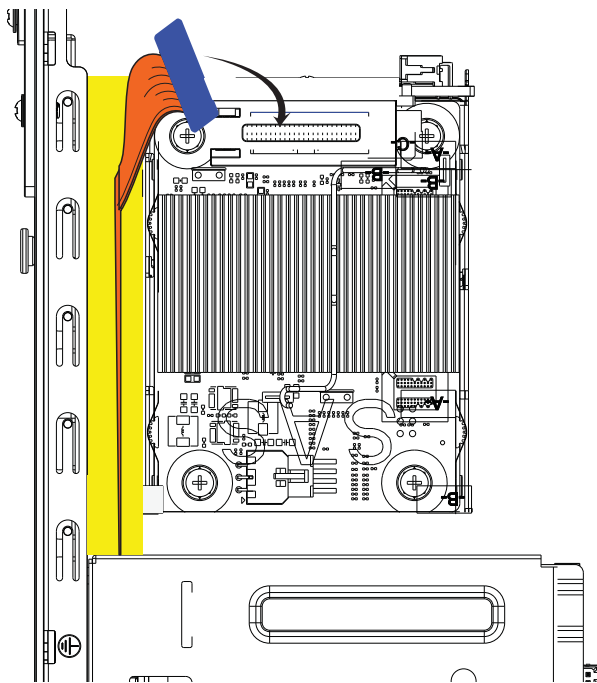
1	Index finger placement
2	Thumb placement

- Step 9** Insert the new I/O card into the chassis. (See [Figure 4-12](#).) The I/O card holder fits properly if the following criteria are met:
- The PCIe bus is properly inserted on the motherboard.
 - The small black plastic guide slides all the way into the chassis.
 - The two hooks on the assembly plug into the two slots on the edge of the chassis.

Figure 4-12 Inserting a New I/O Card

330134

- Step 10** Carefully feed the flexible Regex circuit into the yellow channel on the chassis side (see [Figure 4-13](#)), and reconnect the blue Regex cable connector end to the motherboard.

Figure 4-13 Feeding Regex Flexible Circuit through Channel and Reconnecting

331351

- Step 11** Close the green connector clamp.
- Step 12** Install the chassis cover, and replace the chassis in the rack.
- Step 13** Install the power cable, and restore power to the chassis. The LEDs will blink when traffic begins to pass through.

Installing and Removing the SFP Modules

The SFP module is a hot-swappable input/output device that plugs into the SFP ports. This section describes how to install and remove the SFP modules in the ASA to provide optical Gigabit Ethernet connectivity, and it includes the following topics:

- [Installing the SFP Module, page 4-11](#)
- [Removing the SFP Module, page 4-12](#)



Caution

Protect your SFP modules by inserting clean dust plugs into the SFPs after the cables are extracted from them. Be sure to clean the optic surfaces of the fiber cables before you plug them back into the optical bores of another SFP module. Avoid getting dust and other contaminants into the optical bores of your SFP modules. The optics do not operate correctly when obstructed with dust.



Warning

Because invisible laser radiation may be emitted from the aperture of the port when no cable is connected, avoid exposure to laser radiation and do not stare into open apertures. Statement 70

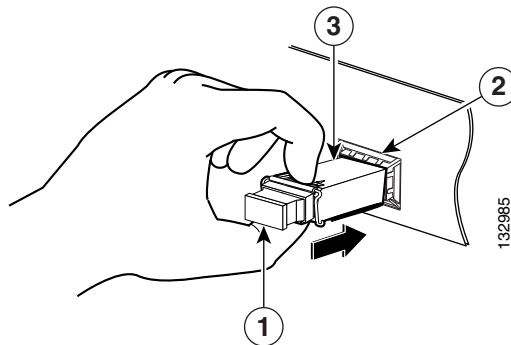
Installing the SFP Module

To install the SFP module, perform the following steps.

Detailed Steps

- Step 1** Align the SFP module with the port, and slide the SFP module into the port slot until it locks into position, as shown in [Figure 4-14](#).

Figure 4-14 Installing an SFP Module



1	Optical port plug	2	SFP port slot
3	SFP module		



Caution

Do not remove the optical port plugs from the SFP until you are ready to connect the cabling.

- Step 2** Remove the optical port plug, and then connect the network cable to the SFP module.
- Step 3** Connect the other end of the cable to your network.

Removing the SFP Module

SFP modules use various latch designs to secure the SFP modules in the SFP ports. The following list includes the different module design types:

- Mylar Tab Module
- Actuator/Button SFP Module
- Bale-Clasp SFP Module
- Plastic Collar Module



Note

Latch designs are not linked to SFP model or technology types. For information about SFP models and technology types, see the label on the side of your SFP.

To remove the SFP module, perform the following steps.

Detailed Steps

- Step 1** Disconnect all cables from the SFP.



Warning

Because invisible laser radiation may be emitted from the aperture of the port when no cable is connected, avoid exposure to laser radiation and do not stare into open apertures. Statement 70

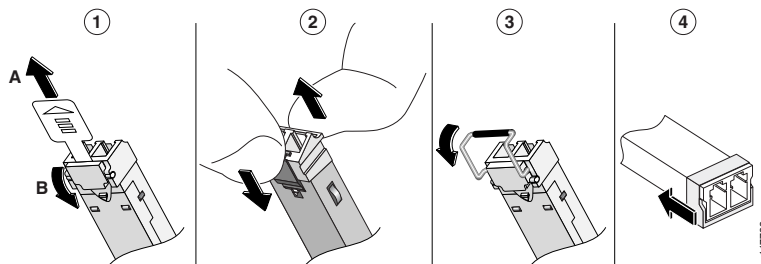


Caution

Do not pull on the cabling in an attempt to remove the SFP.

- Step 2** Disconnect your particular SFP latch, as shown in [Figure 4-15](#).

Figure 4-15 Disconnecting SFP Latch Mechanisms



1	Mylar tab	2	Actuator/Button
3	Bale-clasp	4	Plastic collar

Step 3 Grasp the SFP on both sides, and remove it from the port.

Removing and Installing the Power Supply

- [Removing and Installing the AC Power Supply, page 4-13](#)
- [Installing the DC Input Power, page 4-15](#)
- [Removing and Installing the DC Power Supply, page 4-19](#)

Removing and Installing the AC Power Supply



Caution

If you remove a power supply, replace it immediately to prevent disruption of service.



Caution

If the appliance is subjected to environmental overheating, it shuts down and you must manually power cycle it to turn it on again.



Warning

This unit has more than one power supply connection; all connections must be removed completely to completely remove power from the unit. Statement 102



Warning

This product relies on the building's installation for short-circuit (overcurrent) protection. Ensure that the protective device is rated not greater than: 120 VAC, 20A U.S. (240 VAC, 10A international). Statement 1005

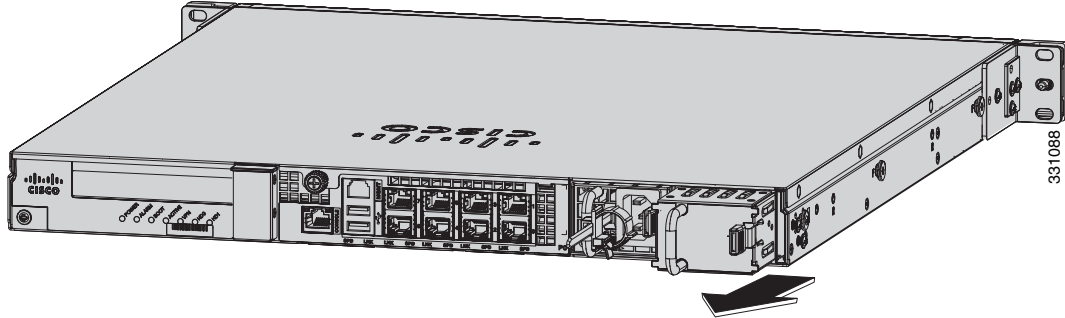


Note

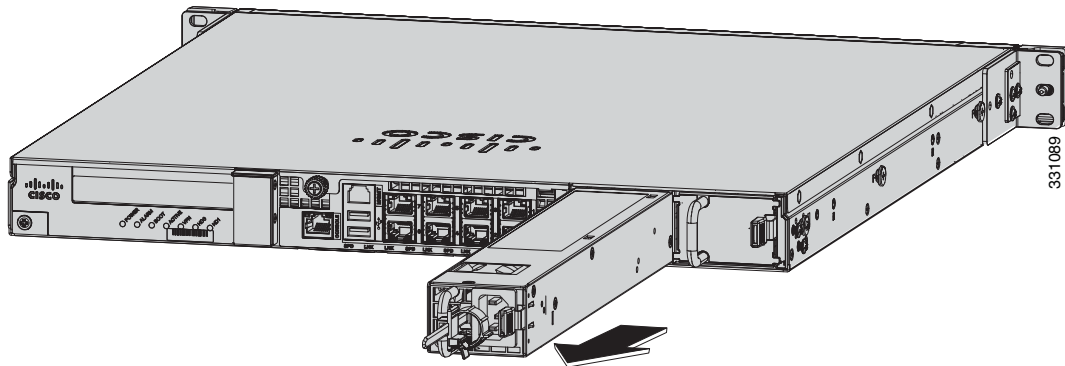
This procedure applies only to the appliances with a removable AC power supply (ASA 5545-X and ASA 5555-X). If only one power supply is installed, make sure that it is installed in slot 0 (left slot) and that slot 1 (right slot) is covered with a slot cover.

To remove and install the AC power supply, follow these steps:

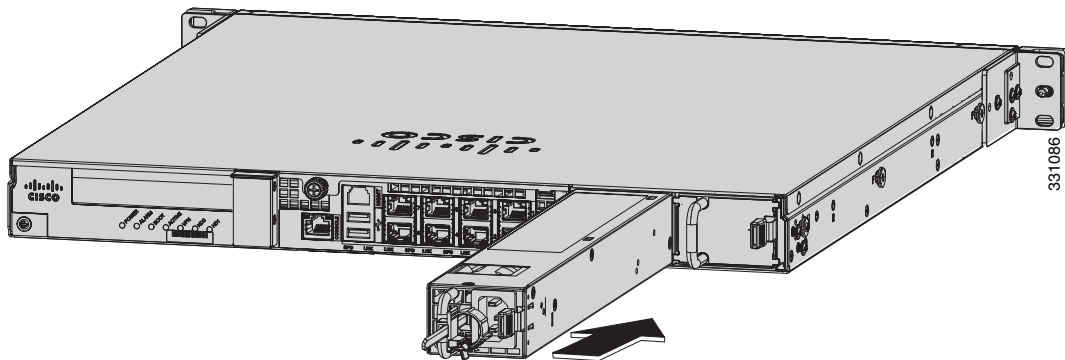
Step 1 If you are adding an additional power supply, from the back of the appliance, push the lever on the slot cover to the left to release it, grasp the handle of the slot cover and pull it away from the chassis. (See [Figure 4-16](#).) Save the slot cover for future use. Continue with Step 3.

Figure 4-16 Removing the Slot Cover

- Step 2** If you are replacing a power supply, follow these steps:
- a. Power off the appliance.
 - b. From the back panel of the appliance, unplug the power supply cable.
 - c. Push the lever on the power supply to the left and remove the power supply by grasping the handle and then pulling the power supply away from the chassis while supporting it from beneath with the other hand. (See [Figure 4-17](#).) Continue with Step 3.

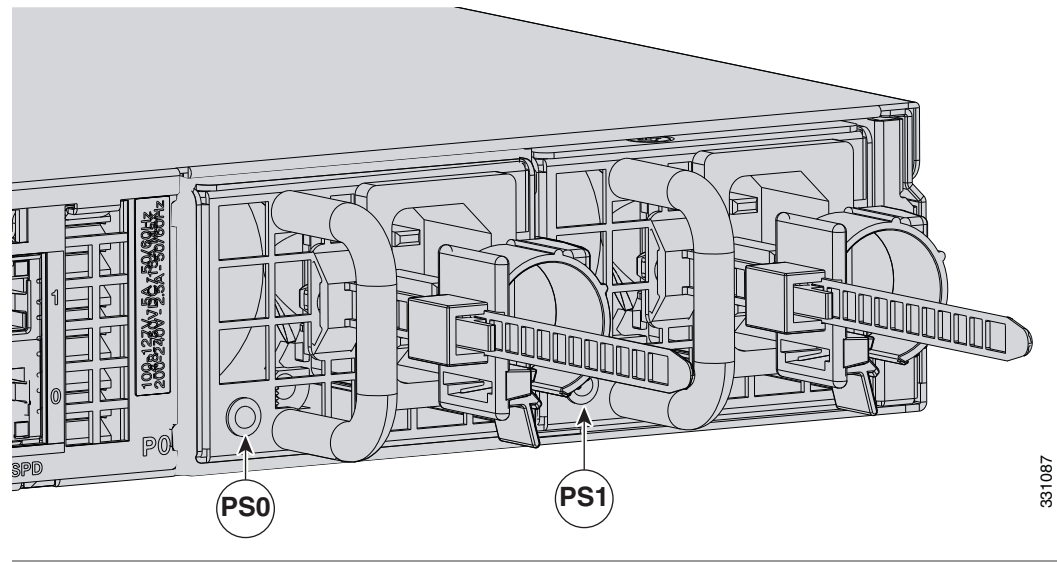
Figure 4-17 Removing the AC Power Supply

- Step 3** Install the new power supply by aligning it with the power supply bay and pushing it into place until it is seated while supporting it from beneath with the other hand. (See [Figure 4-18](#).)

Figure 4-18 Installing the AC Power Supply

- Step 4** Connect the power cable. If you are installing two power supplies for a redundant configuration, plug each one into a power source (we recommend a UPS).
- Step 5** Power on the appliance if you powered it off to replace the only power supply.
- Step 6** Check the PS0 and PS1 indicators on the front panel to make sure they are green. On the back panel of the appliance, make sure the power supply indicator on the bottom of each installed power supply is green. (See [Figure 4-19](#).)

Figure 4-19 Back Power Supply Indicators



Installing the DC Input Power



Warning

The covers are an integral part of the safety design of the product. Do not operate the unit without the covers installed. Statement 1077



Warning

When you install the unit, the ground connection must always be made first and disconnected last. Statement 1046



Warning

Before performing any of the following procedures, ensure that power is removed from the DC circuit. Statement 1003



Warning

Only trained and qualified personnel should be allowed to install, replace, or service this equipment. Statement 1030

**Warning**

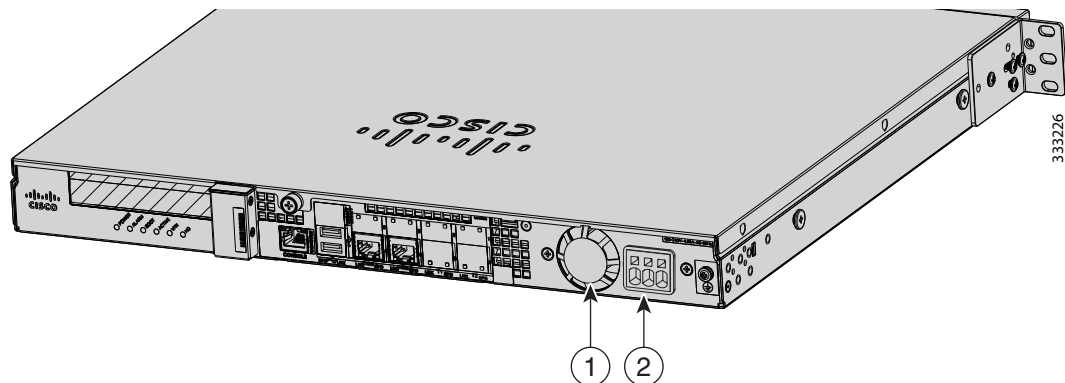
This product relies on the building's installation for short-circuit (overcurrent) protection. Ensure that the protective device is rated not greater than: 80 VAC, 20A. Statement 1005

The DC power supply is shipped installed in the chassis, either one or two power supplies depending on which configuration you ordered. You must connect the power supply wires. This section describes how to install the DC power supply ground leads and input power leads to the appliance DC input power supply. Before you begin, read these important notices:

- The color coding of the DC input power supply leads depends on the color coding of the DC power source at your site. Typically, green or green/yellow is used for ground (GND), black is used for –48 V on the negative (–) terminal, and red is used for RTN on the positive (+) terminal. Ensure that the lead color coding you choose for the DC input power supply matches the lead color coding used at the DC power source.
- Make sure that the chassis ground is connected on the chassis before you begin installing the DC power supply. See [“Working in an ESD Environment”](#) section on page 2-3 for more information.

Figure 4-20 shows the back panel of the ASA 5512-X, ASA 5515-X, and ASA 5525-X with the DC power supply.

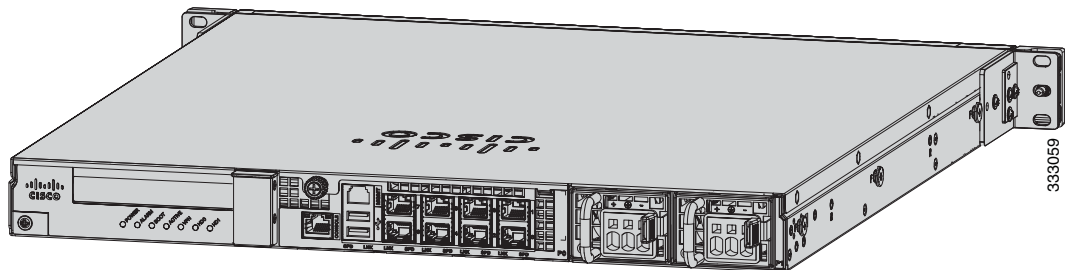
Figure 4-20 ASA 5512-X, ASA 5515-X, and ASA 5525-X Back Panel



1	Fixed fan	2	Fixed DC power supply
----------	-----------	----------	-----------------------

Figure 4-21 shows the back panel of the ASA 5545-X and ASA 5555-X with two DC power supplies.

Figure 4-21 ASA 5545-X and ASA 5555-X Back Panel



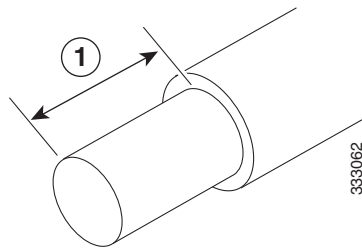
**Note**

If only one power supply is installed, make sure that it is installed in slot 0 (left slot) and that slot 1 (right slot) is covered with a slot cover.

To connect the DC power supply on the appliance, follow these steps:

- Step 1** Make sure that the chassis ground is connected on the chassis before you begin installing the DC power supply.
- Step 2** Turn off the circuit breaker to the power supply.
- Step 3** From the front of the appliance, verify that the power switch is in the Standby position.
- Step 4** Move the circuit-breaker switch handle to the Off position, and apply tape to hold it in the Off position.
- Step 5** Use a 10 gauge wire-stripping tool to strip each of the three wires coming from the DC input power source. Strip the wires to 0.27 inch (7 mm) \pm 0.02 inch (0.5 mm). Do not strip more than the recommended length of wire because doing so could leave the wire exposed from the DC power supply connection. (See [Figure 4-22](#).)

Figure 4-22 Stripping the DC Input Power Source Wire



- 1** We recommend that you strip the wire to 0.27 inch (7 mm).

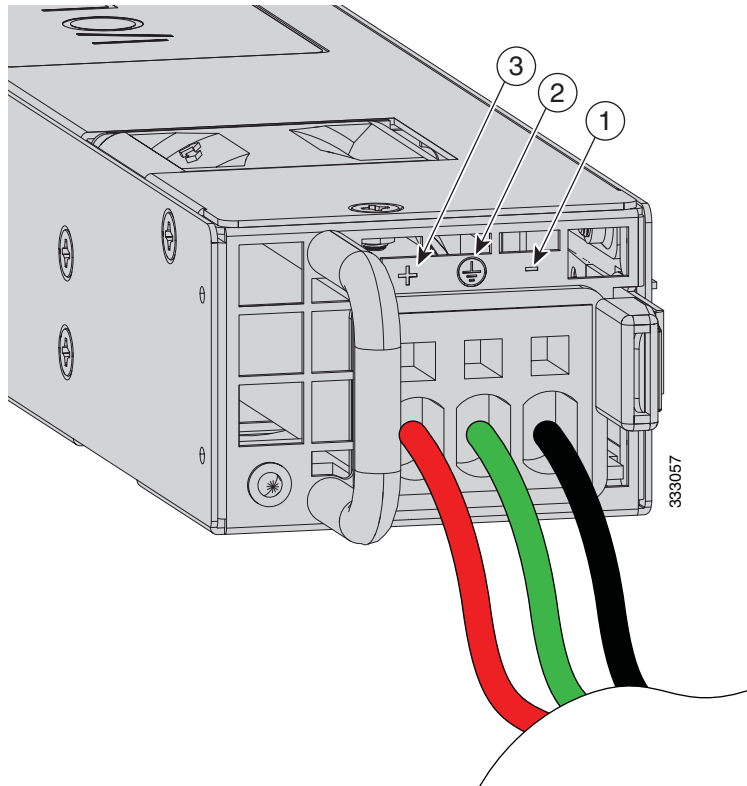
**Warning**

An exposed wire lead from a DC input power source can conduct harmful levels of electricity. Be sure that no exposed portion of the DC input power source wire extends from the terminal block plug.

Statement 122

- Step 6** Identify the positive, negative, and ground feed positions for the DC power supply connection. The recommended wiring sequence is as follows (see [Figure 4-23 on page 4-18](#)):
- Ground lead wire (middle)
 - Positive (+) lead wire (left)
 - Negative (-) lead wire (right)

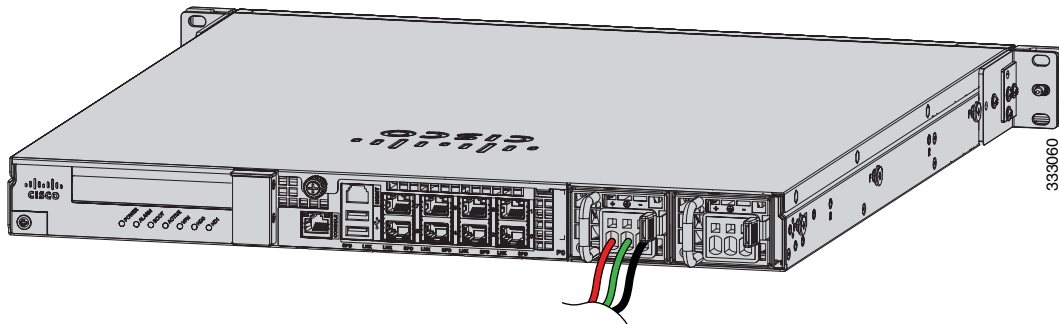
Figure 4-23 Ground Wires



1	Negative (-) lead wire	2	Ground lead wire
3	Positive (+) lead wire		

Figure 4-24 shows the DC power supply with lead wires.

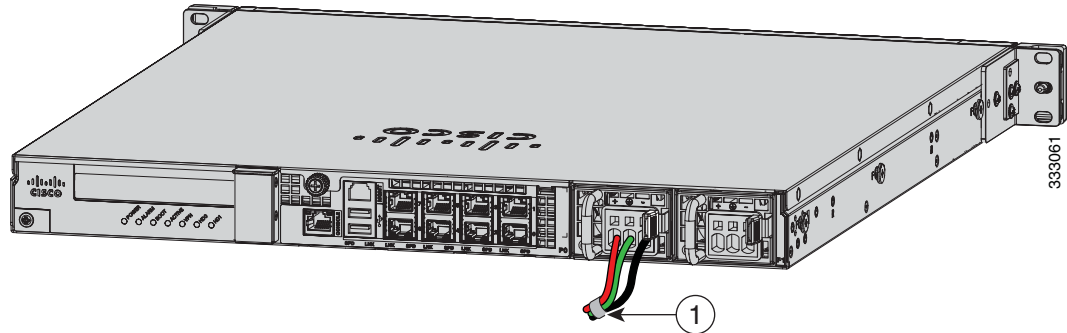
Figure 4-24 DC Power Supply with Lead Wires



- Step 7** Insert the exposed end of one of the ground wires into the inlet on the DC power supply. After you push in the wires, they are held in place with a spring, which makes the physical contact. Make sure that you cannot see any wire lead. Only wires *with insulation* should extend from the DC power supply.
- Step 8** Repeat Step 5 through Step 7 for the remaining two DC input power source wires, the positive lead wire and the negative lead wire.

- Step 9** Use a tie wrap to secure the wires coming from the power supply to the rack so that the wires cannot be pulled from the power supply by casual contact. Make sure the tie wrap allows for some slack in the ground wire. [Figure 4-25](#) shows the DC power supply with the wires inserted and the tie wrap secured.

Figure 4-25 Complete DC Secure Tie Wrap



1	Lead wires secured with a tie wrap		
----------	------------------------------------	--	--

- Step 10** Remove the tape (if any) from the circuit breaker switch handle, and move the circuit breaker switch handle to the On position. The power supply indicators light up when power is supplied to the appliance.

Removing and Installing the DC Power Supply

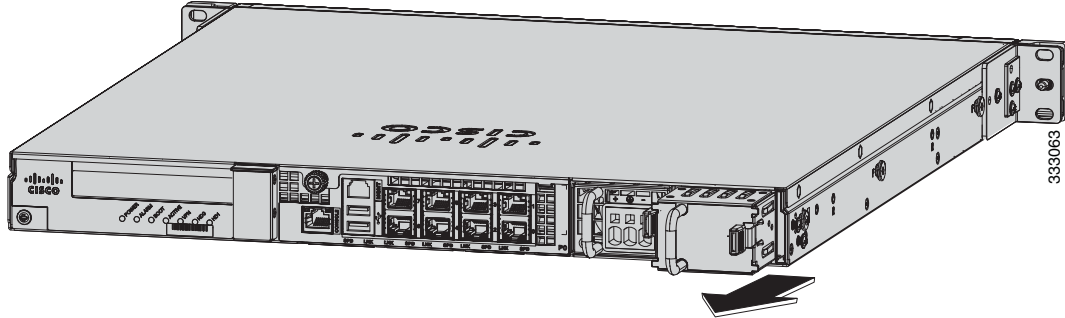


Note

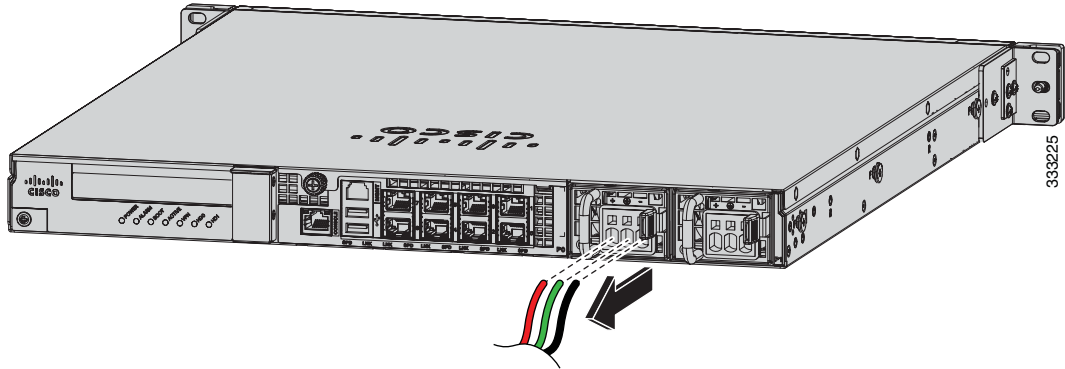
This procedure applies only to the appliances with a removable DC power supply (ASA 5545-X and ASA 5555-X).

To remove and install a DC power supply, perform the following steps:

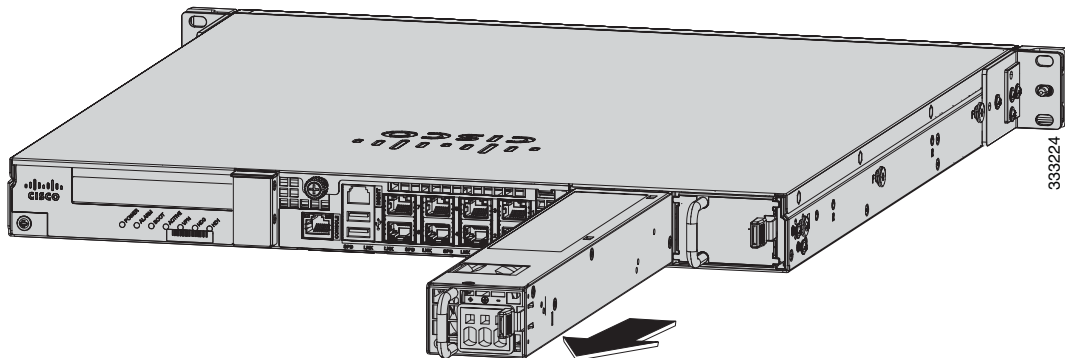
- Step 1** Make sure that the chassis ground is connected on the chassis before you begin installing the DC power supply, as described in [“Working in an ESD Environment”](#) section on page 2-3.
- Step 2** Turn off the circuit breaker to the power supply.
- Step 3** At the back of the appliance, place the Standby switch into the Standby position.
- Step 4** Move the circuit-breaker switch handle to the Off position, and apply tape to hold it in the Off position.
- Step 5** If you are adding an additional power supply, from the back of the appliance, push the lever on the slot cover to the left to release it, grasp the handle of the slot cover, and pull it away from the chassis. (See [Figure 4-26](#).) Save the slot cover for future use. Continue with Step 7.

Figure 4-26 Removing the Slot Cover

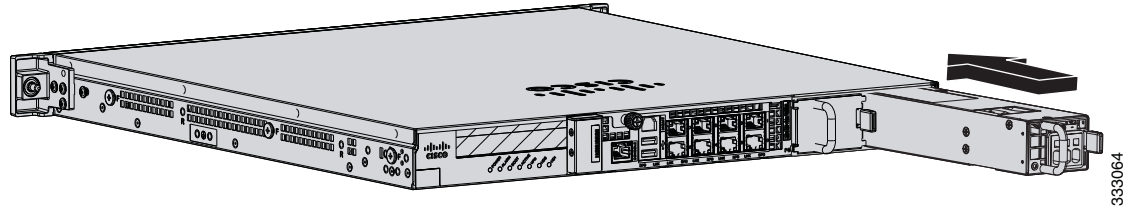
- Step 6** If you are replacing a power supply, follow these steps:
- Remove the wires from the DC power supply by inserting a small flat-head screwdriver into the square hole above the wire to relieve the spring pressure. (See [Figure 4-27](#).)

Figure 4-27 Removing the Wires from the DC Power Supply

- Gently pull the wires out of the power supply.
- Push the lever on the power supply to the left and remove the power supply by grasping the handle and then pulling the power supply out of the chassis while supporting it from beneath with the other hand. (See [Figure 4-28](#).)

Figure 4-28 Removing the DC Power Supply

- Step 7** Install the new power supply by lining it up with the power supply bay and pushing it into place until it is seated while supporting it from beneath with the other hand. (See [Figure 4-29](#).)

Figure 4-29 Installing the DC Power Supply

Step 8 To connect the DC input power source wires, see Step 5 through Step 10 in [Installing the DC Input Power](#), page 4-15.

Installing and Removing the Solid State Drive for the ASA CX SSP

This section describes how to install and remove the Solid State Drive (SSD) in the ASA 5500-X series security appliances, and contains the following topics:

- [Installation Scenarios](#), page 4-21
- [Installing and Removing SSDs](#), page 4-22

Installation Scenarios

**Caution**

Make sure that you replace a failed SSD as soon as possible to avoid data loss. Removal of all SSDs shuts down the ASA CX service.

You may need to install, remove, or replace a SSD in your ASA 5500-X series ASA under the following conditions:

- If you are adding the ASA CX SSP to an existing ASA for the first time, after you have installed the SSD in the ASA, you must reload the ASA and then reimage the ASA CX SSP.
- If the drive fails in the single-drive models or both drives fail simultaneously in the dual-drive models, you need to replace the drives. ASA CX SSP shuts down when this happens, so CX features are not available as part of the recovery process. You must reload the ASA and then reimage the ASA CX SSP.
- If a single drive fails in the dual-drive model, you can hot-swap the failed drive. In this case, ASA CX SSP does not shut down and you do not need to reload the ASA.
- If you want to replace a drive that is still functioning. Back up and gracefully shut down the ASA CX SSP before replacing the drive. You must reload the ASA and then reimage the ASA CX SSP.

Installing and Removing SSDs

To install and remove SSDs in the ASA 5500-X series, follow these steps.

Detailed Steps

- Step 1** If you need to remove an old drive, from the front panel of the ASA, remove the SSD by pressing the button on the right side of the bay until the lever is released. Pull out the SSD.

Figure 4-30 shows the ASA 5512/5515/5525-X models with one SSD. Figure 4-31 shows the ASA 5545/5555-X with two SSDs.

Figure 4-30 Removing the SSD from the ASA 5512/5515/5525-X

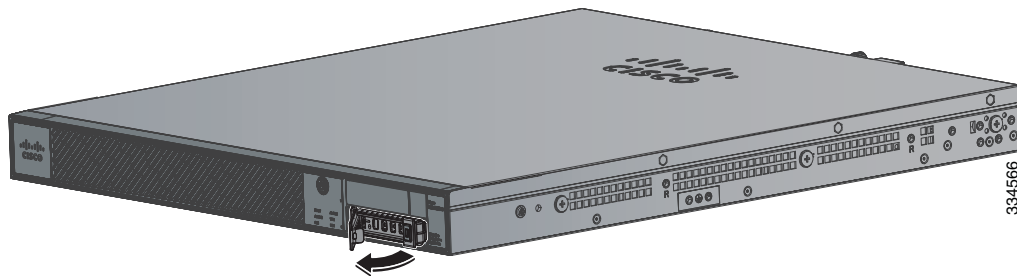
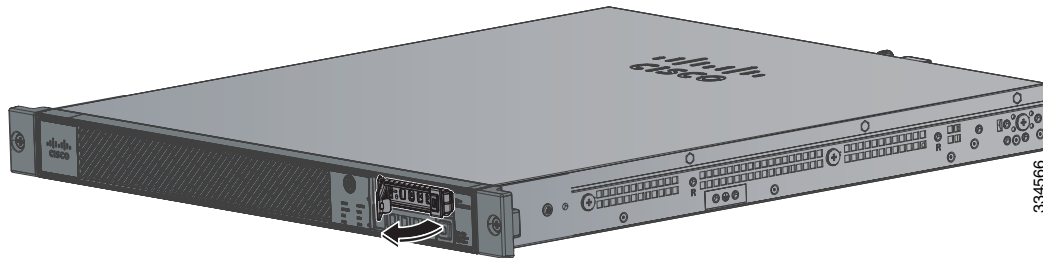


Figure 4-31 Removing the SSD from the ASA 5545-X and ASA 5555-X



- Step 2** On the front panel of the appliance, line up the SSD carrier with the SSD bay and push it in until it is seated. Push the lever into place.

Figure 4-32 shows the ASA 5512/5515/5525-X models. Figure 4-33 shows the ASA 5545/5555-X models.

Figure 4-32 Installing the SSD in the ASA 5512/5515/5525-X

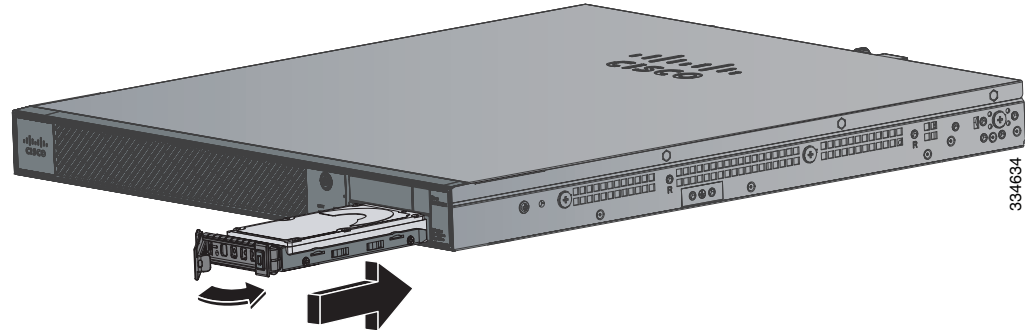
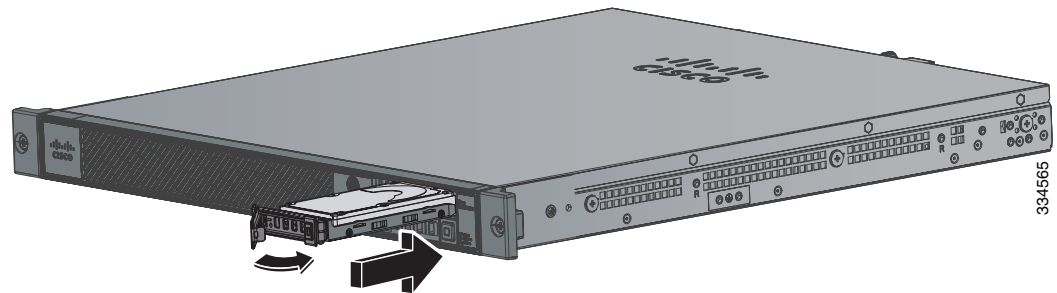


Figure 4-33 Installing the SSD in the ASA 5545-X and ASA 5555-X



- Step 3** On the front panel of the ASA, make sure the HDD1 (top SSD) and HDD0 (bottom SSD) indicators are solid green to indicate that the SSDs are now active.
- Step 4** If you replaced the drive in the ASA 5512-X, ASA 5515-X, or ASA 5525-X, you need to reinstall the ASA CX using the ASA CX boot image. For more information refer to *Cisco ASA CX Module Quick Start Guide* found at this URL:
http://www.cisco.com/en/US/docs/security/asa/quick_start/cx/cx_qsg.html

If you replaced the drives in the ASA 5545-X and ASA 5555-X, the ASA rebuilds the data on the SSD because it is configured to be in RAID1.



Numerics

- 1000 W power supplies
 - power cords (table) [2-5](#)

A

- AC-input power cords
 - product numbers (table) [2-5](#)
- ASA CX SSP
 - solid state drive
 - illustration [1-3](#)
 - installing [4-22](#)
 - removing [4-22](#)

C

- chassis covers
 - removing [4-1](#)
 - replacing [4-2](#)
- circuit breaker warning [4-13, 4-16](#)
- Cisco warranty [2-2](#)
- Console port [3-14](#)

D

- data sheet
 - 5512-X and 5515-X [1-16](#)
 - 5525-X, 5545-X, 5555-X [1-16](#)

E

- electrostatic discharge

see ESD

- equipment racks
 - tips [2-6](#)

ESD

- preventing [2-3](#)

F

- failover [3-14](#)
- fans
 - ventilation [2-6](#)

H

- hardware specifications [1-15](#)

I

- I/O card
 - replacing in an ASA 5512-X, 5515-X, 5525-X [4-3](#)
 - replacing in an ASA 5545-X, 5555-X [4-7](#)
- interface cables
 - auxiliary port [3-14](#)
 - connecting [3-13](#)
 - console port [3-14](#)

P

- panel
 - removing [4-2](#)
- power supplies
 - considerations [1-13, 3-13](#)
 - described [1-13](#)

illustrations [1-14](#)

indicator [1-14](#)

power supplies (AC)

installing [4-13](#)

removing [4-13](#)

power supplies (DC)

connecting [4-17](#)

installing [4-19](#)

removing [4-19](#)

R

rack mounting

5512-X, 5515-X, 5525-X [3-2](#)

5545-X, 5555-X [3-4](#)

RJ-45 connector

pinouts [1-18](#)

S

safety [2-2](#)

SFP module

cabling requirements [1-5](#)

installing and removing [4-11](#)

supported modules [1-5](#)

site environment [2-3](#)

V

ventilation fans [2-6](#)

W

warning

circuit breaker [4-13, 4-16](#)

exposed DC wire [4-17](#)

warranty [2-2](#)